

T-Handle Retractable Plungers

With Thread Lock & Stainless Steel

With Thread Lock T-handle retractable plungers in stainless steel are easily gripped, making them easy to withdraw or engage the plunger. The stainless steel design resists rust and corrosion.

Typical Uses

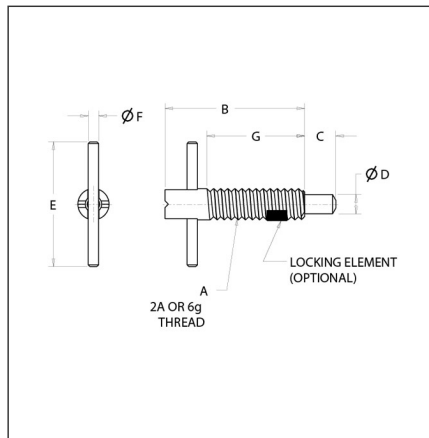
- Positioning
- Fastening
- Securing
- With Thread Lock
- Latching
- Quick disconnect

Special Uses

- Food and medical applications
- Special environments

Special Features

- T-Handle design
- Hand-retractable locking plunger
- Withstands side loading
- Tapered end for easy alignment
- Stainless steel construction



T-Handle Retractable Plungers - w/ Thread Lock & - Stainless Steel

Part No.		End Force, (Lbs.)		A	B	C	D	E	F	G	ROHS	CAD	CAD With Thread Lock
	With Thread Lock	Initial	Final										
SFRT250	SFRT250P	1.0	2.5	1/4-20	1.14	0.250	0.155	1.13	0.13	0.8	<input checked="" type="checkbox"/>	SFRT250	SFRT250P
SFRT375	SFRT375P	2.0	4.0	3/8-16	1.68	0.375	0.233	1.50	0.13	1.2	<input checked="" type="checkbox"/>	SFRT375	SFRT375P
SFRT500	SFRT500P	2.5	5.0	1/2-13	2.00	0.500	0.312	2.00	0.16	1.4	<input checked="" type="checkbox"/>	SFRT500	SFRT500P
SFRT625	SFRT625P	2.5	5.0	5/8-11	2.38	0.625	0.375	2.50	0.19	1.7	<input checked="" type="checkbox"/>	SFRT625	SFRT625P

T-Handle Retractable Plungers - w/ Thread Lock & - Stainless Steel

Part No.		End Force, N		A	B	C	D	E	F	G	ROHS	CAD	CAD With Thread Lock
	With Thread Lock	Initial	Final										
SFRTM6	SFRTM6P	4.4	11.0	M6 x 1.0	29.0	6.4	4.0	29.0	3.3	20.3	<input checked="" type="checkbox"/>	SFRTM6	SFRTM6P
SFRTM10	SFRTM10P	9.0	17.8	M10 x 1.5	43.0	9.5	6.0	38.0	3.3	30.5	<input checked="" type="checkbox"/>	SFRTM10	SFRTM10P
SFRTM12	SFRTM12P	11.0	22.0	M12 x 1.75	51.0	12.7	8.0	51.0	4.0	35.5	<input checked="" type="checkbox"/>	SFRTM12	SFRTM12P
SFRTM16	SFRTM16P	11.0	22.0	M16 x 2.0	60.0	16.0	10.0	64.0	4.8	43.0	<input checked="" type="checkbox"/>	SFRTM16	SFRTM16P

Proud to be [ISO:50001](#) and ISO:9001 Certified

Cage Code: 01226



Copyright © 2024 Vlier Inc. | All Rights Reserved | A Division of HUTCHINSON®