

Stubby Pull Ring Plungers

With Thread Lock & Stainless Steel

Stubby pull ring plungers in stainless steel are perfect for installation into tight spaces on account of their stout bodies and easy to grasp design. Their stainless steel construction resists rust and corrosion.

Typical Uses

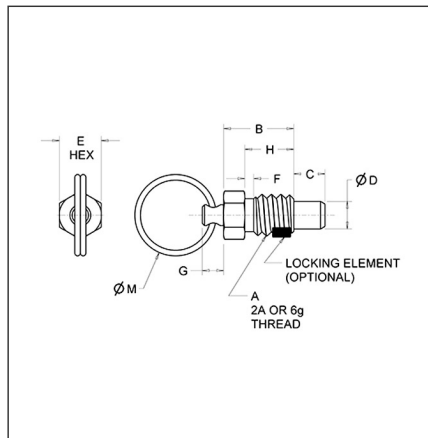
- Positioning
- Fastening
- Securing
- With Thread Lock
- Latching
- Quick disconnect

Special Uses

- Food and medical applications
- Special environments

Special Features

- Pull-ring stubby design
- Hand-retractable non-locking plunger
- Withstands side loading
- Tapered end for easy alignment
- Stainless steel construction



Stubby Pull Ring Plungers - w/ Thread Lock & - Stainless Steel

Part No.		End Force, (Lbs.)		A	B	C	D	E Hex	F	G	H	M	ROHS	CAD
		Initial	Final											
SPRSN250	SPRSN250P	0.50	2.0	1/4-20	0.44	0.19	0.16	0.25	*	0.18	0.31	0.62	<input checked="" type="checkbox"/>	SPRSN2
SPRSN250A	SPRSN250AP	0.50	2.0	1/4-20	0.44	0.19	0.16	0.25	*	0.18	0.31	0.75	<input checked="" type="checkbox"/>	SPRSN2
SPRSN375	SPRSN375P	0.75	3.0	3/8-16	0.63	0.28	0.25	0.38	0.13	0.19	0.44	0.75	<input checked="" type="checkbox"/>	SPRSN3
SPRSN500	SPRSN500P	1.00	4.0	1/2-13	0.81	0.38	0.31	0.50	0.13	0.25	0.56	1.00	<input checked="" type="checkbox"/>	SPRSN5
SPRSN625	SPRSN625P	1.25	5.0	5/8-11	1.00	0.44	0.38	0.62	0.13	0.31	0.69	1.00	<input checked="" type="checkbox"/>	SPRSN6

No thread relief in 1/4-20 thread size and M6 thread for metric.

Stubby Pull Ring Plungers - w/ Thread Lock & - Stainless Steel

Part No.		End Force, N		A	B	C	D	E	F	G	H	M	ROHS	CAD
		Initial	Final											
SPRSNM6	SPRSNM6P	2.20	8.9	M6 x 1.00	11.0	5.0	4.0	6.0	*	4.6	8.0	19.0	<input checked="" type="checkbox"/>	SPRSNM6
SPRSNM10	SPRSNM10P	3.30	13.3	M10 x 1.50	16.0	7.0	6.0	10.0	3.0	4.8	11.0	19.0	<input checked="" type="checkbox"/>	SPRSNM10
SPRSNM12	SPRSNM12P	4.40	17.8	M12 x 1.75	21.0	10.0	8.0	12.0	3.0	6.4	14.0	25.0	<input checked="" type="checkbox"/>	SPRSNM12
SPRSNM16	SPRSNM16P	5.60	22.2	M16 x 2.00	25.0	11.0	10.0	16.0	3.0	8.0	18.0	25.0	<input checked="" type="checkbox"/>	SPRSNM16

No thread relief in 1/4-20 thread size and M6 thread for metric.

Proud to be [ISO:50001](#) and [ISO:9001](#) Certified

Cage Code: 01226

