

Socket Set Swivel Pad Clamps

Vlier's precisely engineered mechanical components include our socket set swivel pad clamps, which provide maximum support and rigidity. They're ideal for use in limited spaces and securely hold parts with off-angle surfaces without any surface marring or damage.

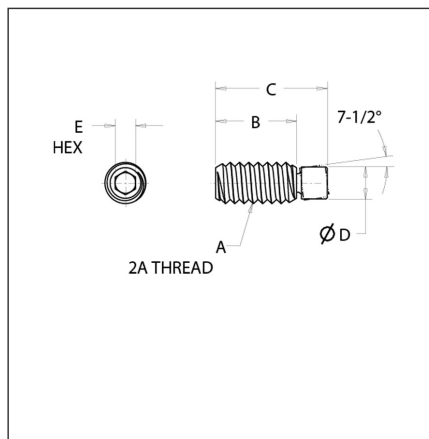
Our socket set swivel pad clamps are offered in either steel with black oxide finish or stainless steel. Both models offer an optional Delrin® pad, which eliminates surface damage when clamping together soft materials and helps reduce distortion.

Typical Uses

Vlier swivel pads clamp parts with uneven, round or angled surfaced areas in applications like cutting, grinding or machining for manufacturing. This provides evenly distributed clamping pressure that prevents damage to the surface area or to the part itself.

Special Features

- Flat-tipped design
- Pad swivels 7.5° off centerline in all directions
- Large, flat pad face ensures tight clamping
- Pad designed to pass through tapped hole
- Conical seat distributes uniform pressure in clamping
- Heat-treated steel alloy for long life
- Steel model features black oxide finish
- Stainless steel model offers added protection against rust and corrosion
- Delrin® or steel pad



Socket Set Swivel Pad Clamps - Steel and Delrin® Pads

Part No.				A	B	C	D	E Hex	ROHS	CAD Delrin Pads	CAD Steel Pads		
Delrin Pads	Steel Pads												
NSC324		SC324		10-32	11/32	1/2	0.146	3/32	☑	NSC324		SC324	
NSC326		SC326		1/4-20	11/32	1/2	0.185	1/8	☑	NSC326		SC326	
NSC327		SC327		1/4-20	19/32	3/4	0.185	1/8	☑	NSC327		SC327	
NSC328		SC328		1/4-20	27/32	1	0.185	1/8	☑	NSC328		SC328	
NSC329		SC329		1/4-20	1 11/32	1 1/2	0.185	1/8	☑	NSC329		SC329	
NSC332		SC332		5/16-18	35/64	3/4	0.250	5/32	☑	NSC332		SC332	
NSC333		SC333		5/16-18	51/64	1	0.250	5/32	☑	NSC333		SC333	
NSC334		SC334		5/16-18	1 19/64	1 1/2	0.250	5/32	☑	NSC334		SC334	
NSC335		SC335		5/16-18	1 51/64	2	0.250	5/32	☑	NSC335		SC335	
NSC338		SC338		3/8-16	1/2	3/4	0.293	3/16	☑	NSC338		SC338	
NSC339		SC339		3/8-16	3/4	1	0.293	3/16	☑	NSC339		SC339	
NSC340		SC340		3/8-16	1 1/4	1 1/2	0.293	3/16	☑	NSC340		SC340	
NSC341		SC341		3/8-16	1 3/4	2	0.293	3/16	☑	NSC341		SC341	
NSC344		SC344		1/2-13	7/16	3/4	0.400	1/4	☑	NSC344		SC344	
NSC345		SC345		1/2-13	11/16	1	0.400	1/4	☑	NSC345		SC345	
NSC346		SC346		1/2-13	1 3/16	1 1/2	0.400	1/4	☑	NSC346		SC346	
NSC347		SC347		1/2-13	1 11/16	2	0.400	1/4	☑	NSC347		SC347	
NSC349		SC349		1/2-13	2 11/16	3	0.400	1/4	☑	NSC349		SC349	
NSC350		SC350		5/8-11	5/8	1	0.506	5/16	☑	NSC350		SC350	
NSC351		SC351		5/8-11	1 5/8	2	0.506	5/16	☑	NSC351		SC351	
NSC353		SC353		5/8-11	2 5/8	3	0.506	5/16	☑	NSC353		SC353	
NSC354		SC354		3/4-10	1	1 1/2	0.625	3/8	☑	NSC354		SC354	
NSC356		SC356		3/4-10	2	2 1/2	0.625	3/8	☑	NSC356		SC356	
NSC364		SC364		1-8	53/64	1 1/2	0.813	9/16	☑	NSC364		SC364	

Socket Set Swivel Pad Clamps - Stainless steel and Delrin® Pads

Part No.				A	B	C	D	E Hex	ROHS	CAD Delrin Pads	CAD Stainless Pads		
Delrin Pads	Stainless Pads												
NSSC324		SSC324		10-32	11/32	1/2	0.146	3/32	☑	NSSC324		SSC324	
NSSC327		SSC327		1/4-20	19/32	3/4	0.185	1/8	☑	NSSC327		SSC327	
NSSC328		SSC328		1/4-20	27/32	1	0.185	1/8	☑	NSSC328		SSC328	

NSSC329	SSC329	1/4-20	1 11/32	1 1/2	0.185	1/8	☑	NSSC329	SSC329
NSSC332	SSC332	5/16-18	35/64	3/4	0.250	5/32	☑	NSSC332	SSC332
NSSC333	SSC333	5/16-18	51/64	1	0.250	5/32	☑	NSSC333	SSC333
NSSC334	SSC334	5/16-18	119/64	1 1/2	0.250	5/32	☑	NSSC334	SSC334
NSSC335	SSC335	5/16-18	151/64	2	0.250	5/32	☑	NSSC335	SSC335
NSSC339	SSC339	3/8-16	3/4	1	0.293	3/16	☑	NSSC339	SSC339
NSSC340	SSC340	3/8-16	1 1/4	1 1/2	0.293	3/16	☑	NSSC340	SSC340
NSSC341	SSC341	3/8-16	1 3/4	2	0.293	3/16	☑	NSSC341	SSC341
NSSC345	SSC345	1/2-13	11/16	1	0.400	1/4	☑	NSSC345	SSC345
NSSC347	SSC347	1/2-13	1 11/16	2	0.400	1/4	☑	NSSC347	SSC347
NSSC356	SSC356	3/4-10	2	2 1/2	0.625	3/8	☑	NSSC356	SSC356

Product not available in metric.

Proud to be [ISO:50001](#) and ISO:9001 Certified
Cage Code: 01226



Copyright © 2024 Vliet Inc. | All Rights Reserved | A Division of  HUTCHINSON®