

Leveling Devices

Original Series Stud Style with Elastomer Pad Stainless Steel

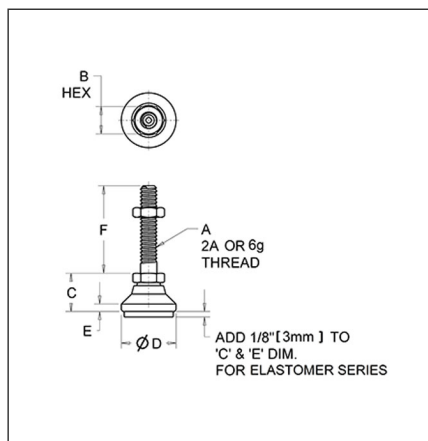
Vlier's original series stud style leveling devices in stainless steel with elastomer pad feature a .125 neoprene elastomer pad bonded to the bottom of the base that provides non-skid support. The stainless steel design provides superior protection from rust and corrosion.

Typical Uses

- Data storage equipment
- Large medical equipment
- Material handling equipment
- Industrial workstations
- Industrial machines

Special Features

- Hardened ball
- Stud with integrally machined hex
- Large diameter base support
- Non-skid elastomer pad protects floor or surface finish
- 15° swivel off centerline
- Stainless steel design resists rust and corrosion



Original Series Stud Style w/Elastomer Pad - Stainless Steel

Part No.	Max Load (Lbs.)	A	B	C	D	E	F	ROHS	CAD
ESSP298S 	525	10-32	3/8	17/32	3/4	7/64	1	<input checked="" type="checkbox"/>	ESSP298S 
ESSP300S 	800	1/4-20	1/2	45/64	1	5/32	1-1/4	<input checked="" type="checkbox"/>	ESSP300S 
ESSP304S 	2,800	3/8-16	5/8	7/8	1-1/4	3/16	2	<input checked="" type="checkbox"/>	ESSP304S 
ESSP306S 	3,750	1/2-13	3/4	1-1/8	1-7/8	1/4	2	<input checked="" type="checkbox"/>	ESSP306S 
ESSP308S 	4,500	5/8-11	7/8	1-1/4	2-1/2	5/16	2	<input checked="" type="checkbox"/>	ESSP308S 
ESSP310S 	5,400	3/4-10	1-1/16	1-1/2	3	1/2	2	<input checked="" type="checkbox"/>	ESSP310S 
ESSP312S 	16,400	1-8	1-3/8	1-7/8	4	13/32	4-1/4	<input checked="" type="checkbox"/>	ESSP312S 

Product Not Available in Metric

Proud to be [ISO:50001](#) and ISO:9001 Certified

Cage Code: 01226



Copyright © 2024 Vliet Inc. | All Rights Reserved | A Division of  | HUTCHINSON®