

Leveling Devices

Original Series Socket Style with Elastomer Pad Stainless Steel

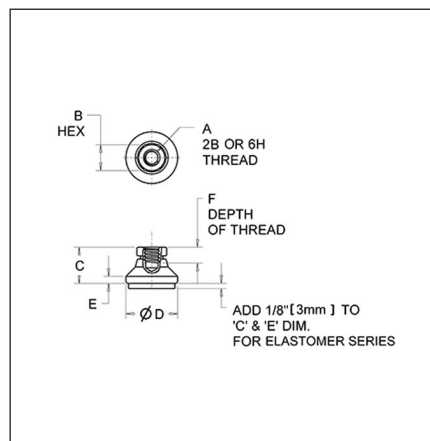
Vlier's original series socket style leveling devices in stainless steel feature an elastomer pad bonded to the bottom of the base for non-skid support. The .125" neoprene pad also protects floors and surface finishes. The stainless steel design offers maximum protection from rust and corrosion.

Typical Uses

- Data storage equipment
- Large medical equipment
- Material handling equipment
- Industrial workstations
- Industrial machines

Special Features

- Hardened ball
- Integrally machined hex
- Non-skid elastomer pad protects floor/surface finish
- Large diameter base support
- 15° swivel off centerline
- Stainless steel design resists rust and corrosion



Original Series Socket Style w/Elastomer Pad - Stainless Steel

Part No.	Max Load (Lbs.)	A	B	C	D	E	F	ROHS	CAD
ESSP298B 	525	10-32	3/8	17/32	3/4	7/64	15/64	<input checked="" type="checkbox"/>	ESSP298B 
ESSP300B 	800	1/4-20	1/2	45/64	1	5/32	5/16	<input checked="" type="checkbox"/>	ESSP300B 
ESSP304B 	2,800	3/8-16	5/8	7/8	1-1/4	3/16	3/8	<input checked="" type="checkbox"/>	ESSP304B 
ESSP306B 	3,750	1/2-13	3/4	1-1/8	1-7/8	1/4	7/16	<input checked="" type="checkbox"/>	ESSP306B 
ESSP308B 	4,500	5/8-11	7/8	1-1/4	2-1/2	5/16	7/16	<input checked="" type="checkbox"/>	ESSP308B 
ESSP310B 	5,400	3/4-10	1-1/16	1-1/2	3	1/2	5/8	<input checked="" type="checkbox"/>	ESSP310B 
ESSP312B 	16,400	1-8	1-3/8	1-7/8	4	13/32	13/16	<input checked="" type="checkbox"/>	ESSP312B 

Product not available in metric.

Proud to be [ISO:50001](#) and ISO:9001 Certified

Cage Code: 01226



Copyright © 2024 Vliet Inc. | All Rights Reserved | A Division of  | HUTCHINSON®