



Jergens®



WORKHOLDING SOLUTIONS



SPECIALTY FASTENERS



LIFTING SOLUTIONS

©2024 JERGENS, INC | JERG0224





RUGGED AMERICAN MADE QUALITY

Jergens hoist rings are made the way they should be: right here in the USA, starting with domestically-produced certified alloy steel. Choose Jergens and get tough, dependable, American-made quality every time.

JERGENS QUALITY

Our quality control procedures define the entire manufacturing process and provide complete traceability from raw materials to finished product. Our state-of-the-art, 110,000 square foot facility is AS 9100 Rev D/ ISO 9001:2015 certified. Finally, All hoist rings conform to: (OSHA) 29 CFR 1918, ANSI/ASME B30.26, MIL-STD-1365C, MIL-STD0209K.



Jergens, Inc is a proud supplier to leading companies in the following industries:

- Transportation
- Military/Aviation
- Manufacturing
- Metalworking
- Material Handling
- Recreation
- Entertainment



View our certifications online





Company Information



Jergens Company Profile

Jergens Inc. was founded in 1942 by Jack Schron, Sr. and his father Christy, to provide standard components for building jigs and fixtures. Today the fourth generation of family involvement continues stronger than ever. The company currently operates as three separate divisions: Jergens Manufacturing, ASG, Division of Jergens, Inc., and Acme Industrial Company. While all divisions are vital to the Jergens family, the manufacturing division is the centerpiece of our capabilities. In June 1999, Jergens moved into a new 110,000 square foot facility and prides itself by manufacturing over 80% of its product offering, as well as setting the standard for producing the highest quality components in our industry.

Jergens Manufacturing now comprises 3 distinct business units: Workholding Solutions, Lifting Solutions and Specialty Fasteners. Building on its reputation of uncompromising quality standards, Jergens is committed to helping its customers achieve leaner, more profitable manufacturing, and continues to add products and engineered solutions for an integrated approach to "Manufacturing Efficiency."

Today, you'll find our tooling components, fasteners and hoist rings at work in just about every industry on every continent. And our innovative Quick Change Workholding Solutions like Ball Lock® Mounting System have changed the way manufacturers worldwide think about productivity.

Jergens actively supports global, multinational and internationally based customers with metric dimensioned product offerings as well as many inch threaded products that are common in aerospace and industrial applications around the world. In important manufacturing markets in Canada, Europe, Asia and Latin America, Jergens representatives and stocking distributors have represented Jergens for more than 30 years. Our international representatives are trained technically on our products and provide expertise to customers and sub dealers in applying Jergens technologies to local industries. In recent years, two wholly owned affiliates were formed to serve the Chinese and Indian markets. Jergens (Shanghai) Commercial Co., Ltd, opened in 2006 and Jergens India Private Ltd., Navi Mumbai India opened in 2009. These fully registered trading subsidiaries employ trained multi-lingual engineers and commercial managers who provide marketing and importing, warehousing, distribution and technical support to our customers, distributors and local representatives.

Acme Industrial, located in Carpentersville, Illinois, is a premium manufacturer of precision drill bushings and keylocking thread inserts. Our ASG Division specializes in products for light assembly ranging from torquecontrolled electric screwdrivers to automation systems.

In addition to our unique product designs, we lead the industry with unparalleled customer service and delivery. Our website is a good example of our commitment to be the most innovative company in our industry. Customers and distributors can check stock and order on-line, view the Jergens catalog, and even download 2D, 3D and solid model CAD drawings in a variety of formats. Visit our website at www.jergensinc.com for the latest news and product information, as well as links to our other divisions. The Jergens family thanks you for your business.



Distribution of Jergens Products

Jergens is proud to be represented by a network of qualified distributors throughout the world. If you do not know the name of the distributor nearest you, please call Jergens Customer Service at 1-877-486-1454 or visit www.jergensinc.com/sales-rep-locator.

Quality Policy

Jergens, Inc. manufactures and supplies only *quality* products. Our quality system is AS 9100 Rev. D / ISO 9001:2015 Certified. Center-Pull and Side-Pull Hoist Rings are CE Certified. If there is a problem with any of our products, please contact your local Jergens Distributor or contact our Customer Service Department.

Design Aids

Jergens, Inc. offers several CAD drawing formats for use in fixture design. Our website (www.jergensinc.com) offers our complete catalog with hot links to CAD drawings on most of our products. We also offer 3D solid models of our products via the internet.

Application Assistance

Jergens Inc. maintains a complete Technical Sales Department to work with you. Please feel free to call upon their knowledge and experience. Application videos are available for the Lift-Check™, Center-Pull Hoist Rings and various other products at www.jergensinc.com or www.youtube.com/users/jergensinc.

Engineering Changes

Product improvement is a continuing process at Jergens, Inc. Specifications and engineering data are subject to change without notice. **If current information is critical to your design, it is suggested that you contact the Jergens Customer Service Department, or download the most current drawing from our website*, to verify any dimensions or specifications.**

Bar Coding

Jergens' boxed and bagged products are fully bar coded for automatic identification. The bar code labels contain the ASCII Code 39 format, which was chosen as being suitable for most bar code readers. Jergens' bar codes will identify part numbers and manufacturer's codes.

Specials

Jergens, Inc. will modify any item that is similar to our standard component parts. Please contact your Jergens Distributor with your request for a quote. Prints or sketches should be furnished if possible.

Alloy Steel - 4140 or equivalent

Low Carbon Steel - Free Machining 1215, 1018, or equivalent

52100: QQS-624

Zinc Plate: ASTM B633, Type V, VI, Class FE/ZN 5

Cadmium Plate: AMS-QQ-P-416, Class 3, Type 1

Black Oxide: MIL-DTL-13924 and AMS-2485

Anodize: per Mil. Spec. MIL-A-8625, Type II, Class 2 and AMS-2472

Passivate: AMS 2700

Alternate Finishes available upon request.

Electroless Nickel Plating

Envirolox: AMS 2404, AMS-C-26074, Mil-C-26074

Temp Range: Min -20°F (-28°C), max 400° F (204°C) for Alloy Steel

Magnetic Particle Inspection: ASTM E1444

Stainless Steel

- 316 (Swivel Eyebolts)
- 17-4PH (Stainless Steel Traditional Center-Pull, Stainless Steel Forged Center-Pull)

* 3D Solid Models are available in multiple formats from www.jergensinc.com

Jergens, Inc.
Manufacturing Number: 697830
FSCM #94882
AS 9100 Rev. D
ISO 9001: 2015
Registration # 20.841.1

Lifting Solutions

Installation Information	5
Traditional Center-Pull Hoist Rings	6-7
Stainless Steel Traditional Center-Pull Hoist Rings	8-9
Shackle-Lok™ Hoist Rings	10-11
Forged Center-Pull Hoist Rings	12-13
Stainless Steel Forged Center-Pull Hoist Rings	14
Traditional Side-Pull Hoist Rings	15
SP 2000™ Side-Pull Hoist Rings	16-17
Die-Flipping Hoist Rings	18
Side Swivel™ Lifting Rings	19
Lift-Check™ Center-Pull Hoist Rings	20-21
Lift Check™ SP2000™ Side-Pull Hoist Rings	22-23
Lift-Check™ Die-Flipping Hoist Rings	24-25
Envirolox™ Protective Finish	26
Hoist Ring Hold Down Clips	26
Bolt Replacement Kits	27
Swivel Eyebolt	28
Small Swivel Eyebolt	29
Large Swivel Eyebolt	29
Pivoting Lift Ring	30
Eye Nuts	30
Shoulder Eye Bolts	31
Quality Standards	32-33
Numerical Index	34-36



Engineer The Lift!!

- Jergens recommends the use of swiveling and pivoting hoist rings.
- Conventional eye bolts should be used for straight vertical lifts only.
- Are you using the proper hoist ring for the application?
- Is the hoist ring free to swivel and pivot? Any movement restrictions?
- Are lifting hole(s) in the proper location?
- Do you have the correct hole size for the hardware - safe lift capacity?
- Are the holes tapped deep enough to ensure full thread engagement? (See figure #4 on Installation Information; page 5.)
- Recommended thread depth:
Steel – 1-1/2 times the bolt diameter (min.)
Aluminum – 2 times the bolt diameter (min.)
- **RULE OF THUMB, IF IN DOUBT – DON'T!!!**

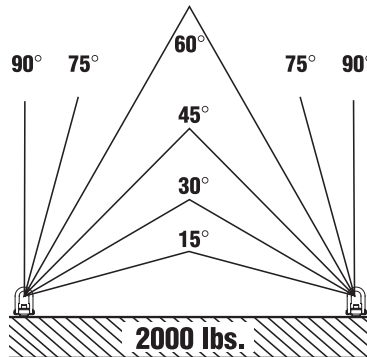
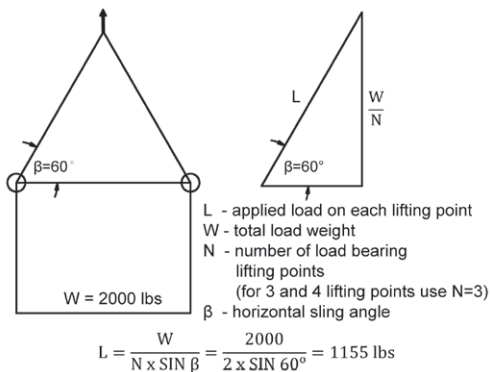
Applied Load Changes With Sling Angle

Jergens swivelling hoist rings are designed and rated to be pulled at any angle at the rated load unless otherwise specified.

However, the applied load on a multipoint lift will increase if the sling angle is less than 90°.

So be sure to consider the sling angle when selecting lifting equipment. See illustration below.

Sample Calculation:



Sling Angle (Degrees)	Applied Load (Pounds)
90	1000
75	1040
60	1155
45	1410
30	2000
15	3860

DO'S

1. Observe working load limitations (be especially careful with eyebolts used for angle lifts – see sling angle chart).
2. Visually inspect hoist ring prior to use.
3. Fully tighten hoist ring to recommended torque. Full thread engagement is required (no space between swivel bushing and lift).
4. Ensure proper thread depth - do not shim.
5. Make sure hoist rings have free travel - it must swivel and pivot without restrictions.
6. When installing in soft metal, such as aluminum, the minimum effective thread engagement should be two times the diameter of the thread (1-1/2 times bolt diameter – steel).

DON'TS

1. Never pull a Center Pull Style hoist ring bail from the side.
2. Never use an oversized hook in eyebolts or hoist rings (See figure #1 on Installation Information; page 5).
3. Never use excessive sling angle.
4. Never steam clean or degrease hoist rings (could cause rusting and binding).
5. Never apply shock loads.
6. Never allow the side of a hoist ring to make contact with the lift. (See figure #2 on Installation Information; page 5.)
7. Never alter hoist rings.



Installation Information

Select the proper Hoist Ring for the job. Do not attempt to apply more than the rated load capacity. *The load capacity is marked on the Hoist Ring.*

Drill and tap the workpiece so that the hoist ring bolt is installed perpendicular to the surface of the workpiece. Countersink the tapped hole to prevent “swelling” of the top thread when the hoist ring bolt is torqued. The workpiece surface must be flat, providing complete contact for the hoist ring bushing.

Do not use spacers between the hoist ring bushing and the workpiece surface.

When installing in soft metal, such as aluminum, the minimum effective thread engagement should be two times the diameter of the thread. When installing in steel, thread engagement should be 1-1/2 times the thread diameter.

Load rating may be reduced if parent material is under 80,000 PSI ultimate tensile strength.

Always *tighten the bolt to the proper torque value*, which is stamped on the Hoist Ring.

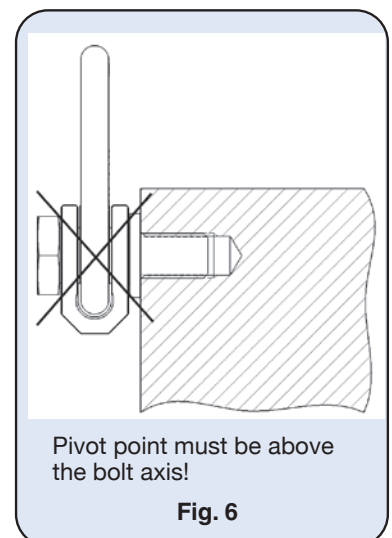
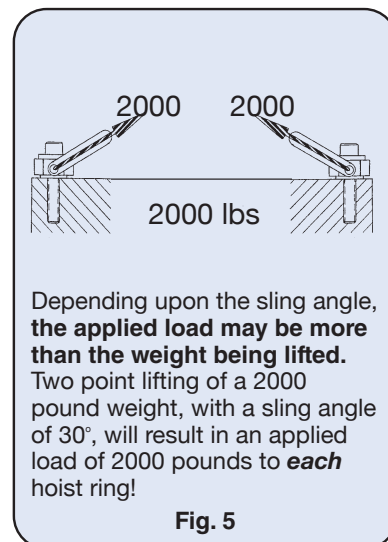
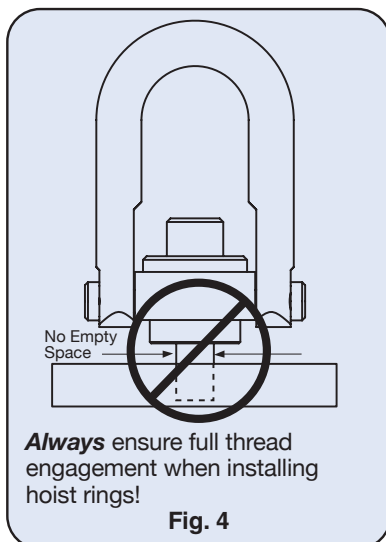
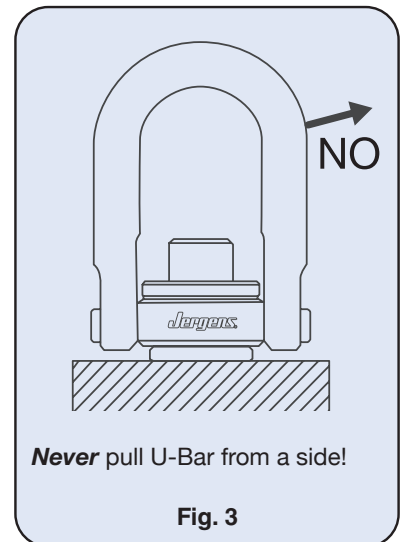
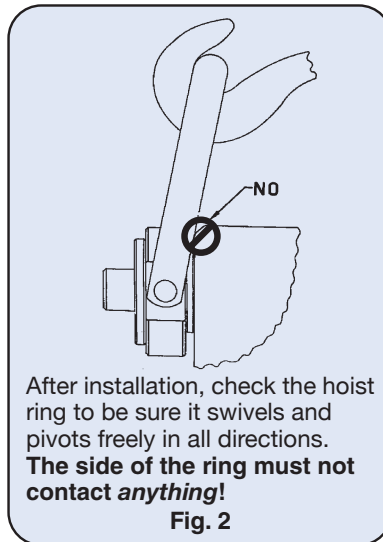
Loosening of the *bolt* may develop during use. *Re-tightening to the required torque must be done whenever the bolt loosens.* The proper tightening torque is stamped on the Hoist Ring.

When lifting, apply force gradually. **DO NOT APPLY SHOCK LOADS.**

For through-hole applications, be sure that nut/washer are the same quality grade as the Hoist Ring.

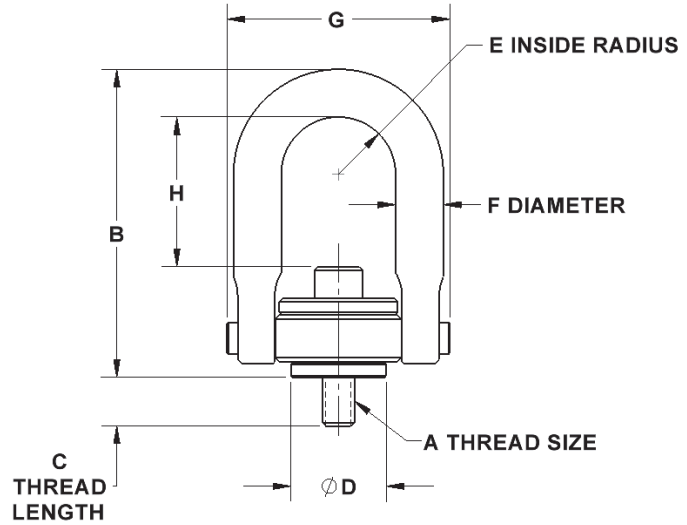
Periodic visual inspection and pull testing is recommended as damage can occur from improper usage.

Always read and understand safety and installation information supplied with each Hoist Ring.

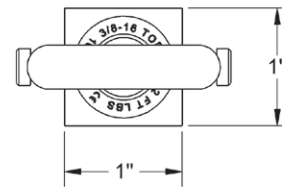




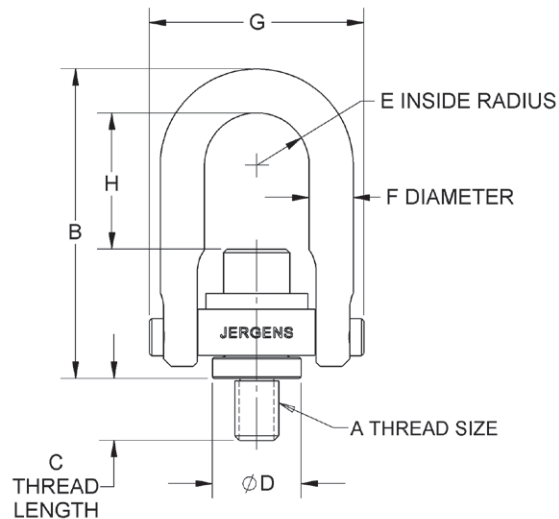
Traditional Center-Pull Hoist Rings



- Full 360° Swivel and 180° Pivot Action
- Rated at 5:1 Strength Factor
- Material: Alloy Steel
- Finish: Black Oxide (Except Washer)
- U-Bar, Bolt, Pins, Base, Washer and Bushing are Magnetic Particle Inspected
- Washer: Zinc Plated with Gold Colored (Inch), Clear/Blue (Metric) Conversion Coating
- Proof Tested to 200% of Rated Load Capacity
- Certificate of Proof Test provided (See sample on page 32)
- Made in U.S.A.
- 3D Solid Models available in multiple formats from www.jergensinc.com
- Available with Envirolox™ protective finish See page 26 for more information
- Conforms to ASME B30.26 and MIL-STD-209K
- Temp Range -20°F (-28°C) to 400°F (204°C)
- Available in 17-4PH Stainless Steel (up to 5,000 lbs/2,150 kg) See page 8-9



†Square Base





Traditional Center-Pull Hoist Rings Inch

Thread Size A	Load ¹ Capacity (lbs)	Black Oxide				Envirolox™ Protected Coating				Thread length ±1/16 C	D	E	F	G	Std U-Bar H	Long U-Bar H	Torque ² (ft. lbs)	Wt (lbs)
		Standard U-Bar		Long U-Bar		Standard U-Bar		Long U-Bar										
		Part Number	B	Part Number	B	Part Number ³	B	Part Number	B									
1/4-20	550	23404†	2.63	-	-	23304†	2.63	-	-	1/2	.75	.43	.38	1.84	1 5/16	-	5	.3
5/16-18	800	23406†	2.63	-	-	23306†	2.63	-	-	9/16	.75	.43	.38	1.84	1 1/4	-	7	.3
3/8-16	1000	23408†	2.63	-	-	23308†	2.63	-	-	9/16	.75	.43	.38	1.84	1 1/4	-	12	.3
1/2-13	2500*	23410	3.75	-	-	23310	3.75	-	-	1	1.20	.69	.50	2.56	1 25/32	-	28	1.0
1/2-13	2500	23411	4.84	23511	6.72	23311	4.84	23511-E	6.72	3/4	1.50	.88	.75	3.52	2 3/8	4 1/4	28	2.5
1/2-13	2500	23412	4.84	23512	6.72	23312	4.84	23512-E	6.72	1	1.50	.88	.75	3.52	2 3/8	4 1/4	28	2.5
1/2-13	2500	23413	4.84	23513	6.72	23313	4.84	23513-E	6.72	1 1/4	1.50	.88	.75	3.52	2 3/8	4 1/4	28	2.5
5/8-11	4000*	23414	4.84	23514	6.72	23314	4.84	23514-E	6.72	1	1.50	.88	.75	3.52	2 1/4	4 3/16	60	2.7
5/8-11	4000*	23415	4.84	23515	6.72	23315	4.84	23515-E	6.72	1 1/4	1.50	.88	.75	3.52	2 1/4	4 3/16	60	2.7
5/8-11	4000*	23416	4.84	23516	6.72	23316	4.84	23516-E	6.72	3/4	1.50	.88	.75	3.52	2 1/4	4 3/16	60	2.7
3/4-10	5000	23417	4.84	23517	6.72	23317	4.84	23517-E	6.72	1	1.50	.88	.75	3.52	2 1/8	4	100	3.0
3/4-10	5000	23418	4.84	23518	6.72	23318	4.84	23518-E	6.72	1 1/2	1.50	.88	.75	3.52	2 1/8	4	100	3.0
3/4-10	7000*	23420	6.42	23520	8.11	23320	6.42	23520-E	8.11	1	2.31	1.40	1.03	5.14	2 15/16	4	100	7.0
3/4-10	7000*	23421	6.42	23521	8.11	23321	6.42	23521-E	8.11	1 1/2	2.31	1.40	1.03	5.14	2 15/16	4	100	7.0
7/8-9	8000	23423	6.42	23523	8.11	23323	6.42	23523-E	8.11	1	2.31	1.40	1.03	5.14	2 13/16	4 3/8	160	7.0
7/8-9	8000	23424	6.42	23524	8.11	23324	6.42	23524-E	8.11	1 1/4	2.31	1.40	1.03	5.14	2 13/16	4 3/8	160	7.0
1-8	10000	23425	6.42	23525	8.11	23325	6.42	23525-E	8.11	1 1/4	2.31	1.40	1.03	5.14	2 11/16	4 3/8	230	7.5
1-8	10000	23426	6.42	23526	8.11	23326	6.42	23526-E	8.11	1 1/2	2.31	1.40	1.03	5.14	2 11/16	4 3/8	230	7.5
1-8	10000	23427	6.42	23527	8.11	23327	6.42	23527-E	8.11	2 1/4	2.31	1.40	1.03	5.14	2 11/16	4 3/8	230	7.5
1 1/4-7	15000	23429	8.73	-	-	23329	8.73	-	-	1 7/8	3.19	1.75	1.25	6.50	4 1/4	-	470	14
1 1/4-8	15000	23429-08	8.73	-	-	23329-08	8.73	-	-	1 7/8	3.19	1.75	1.25	6.50	4 1/4	-	470	14
1 1/2-6	24000	23433	12.54	-	-	23333	12.47	-	-	2 3/4	4.19	2.25	1.75	8.55	6 1/2	-	800	33
1 1/2-8	24000	23433-08	12.54	-	-	23333-08	12.47	-	-	2 3/4	4.19	2.25	1.75	8.55	6 1/2	-	800	33
2-4 1/2	30000	23435	12.54	-	-	23335	12.47	-	-	3 1/8	4.19	2.25	1.75	8.55	6	-	1100	36
2-8	30000	23435-08	12.54	-	-	23335-08	12.47	-	-	3 1/8	4.19	2.25	1.75	8.55	6	-	1100	36
2 1/2-4	50000	23438	16.50	-	-	23338	16.50	-	-	4	5.75	3	2.25	11.72	8 1/4	-	2100	89
2 1/2-8	50000	23438-08	16.50	-	-	23338-08	16.50	-	-	4	5.75	3	2.25	11.72	8 1/4	-	2100	89

Metric

Thread Size A	Load ¹ Capacity (kg)	Black Oxide				Envirolox™ Protected Coating				Thread length ±1.5 C	D	E	F	G	Std U-Bar H	Long U-Bar H	Torque ² (Nm)	Wt. (kg)
		Standard U-Bar		Long U-Bar		Standard U-Bar		Long U-Bar										
		Part Number	B	Part Number	B	Part Number	B	Part Number ³	B									
M6 x 1.0	200	23455†	67.8	-	-	23355†	67.8	-	-	12.0	19.0	10.9	9.7	46.7	34.0	-	6	0.17
M8 x 1.25	400	23456†	67.8	-	-	23356†	67.8	-	-	12.5	19.0	10.9	9.7	46.7	32.0	-	10	0.17
M10 x 1.50	450	23458†	67.8	-	-	23358†	67.8	-	-	17.5	19.0	10.9	9.7	46.7	30.0	-	17	0.17
M12 x 1.75	1050	23462	123.0	23562	170.7	23362	123.0	23562-E	170.7	19.0	38.1	22.4	19.0	89.4	60.5	108	37	1.1
M16 x 2.0	1900	23465	123.0	23565	170.7	23365	123.0	23565-E	170.7	29.0	38.1	22.4	19.0	89.4	56.5	106	80	1.1
M20 x 2.5	2150	23468	123.0	23568	170.7	23368	123.0	23568-E	170.7	34.0	38.1	22.4	19.0	89.4	52.5	101*	135	1.2
M20 x 2.5	3000	23471	163.0	23571	203.0	23371	163.0	23571-E	203.0	32.0	58.7	35.6	26.1	130.6	73.0	113	135	3.0
M24 x 3.0	4200	23474	163.0	23574	203.0	23374	163.0	23574-E	203.0	37.0	58.7	35.6	26.1	130.6	69.0	109	305	3.1
M30 x 3.5	7000	23478	221.7	-	-	23378	221.7	-	-	46.0	81.0	44.5	31.7	165.1	107.4	-	590	6.3
M30 x 3.5	7000	23479	221.7	-	-	23379	221.7	-	-	66.0	81.0	44.5	31.7	165.1	107.4	-	590	6.4
M36 x 4.0	11000*	23483	318.5	-	-	23383	318.5	-	-	68.0	106.4	57.2	44.4	217.2	166.5	-	980	15.5
M42 x 4.5	12500	23484	318.5	-	-	23384	318.5	-	-	68.0	106.4	57.2	44.4	217.2	160.5	-	980	16.0
M48 x 5.0	13500	23485	318.5	-	-	23385	318.5	-	-	88.0	106.4	57.2	44.4	217.2	154.5	-	980	16.8
M64 x 6.0	22500	23488	419.1	-	-	23388	419.1	-	-	96.0	146.0	76.2	57.1	297.6	210.0	-	2845	40.0

All dimensions are in millimeters.

¹ Stated load capacity based on recommended thread torques as shown in chart.

² It is recommended that these torques be used when installing hoist rings.

³ Available from stock as Standard Clevis.

* Rated load may be reduced at 90° from vertical.

† Square base.

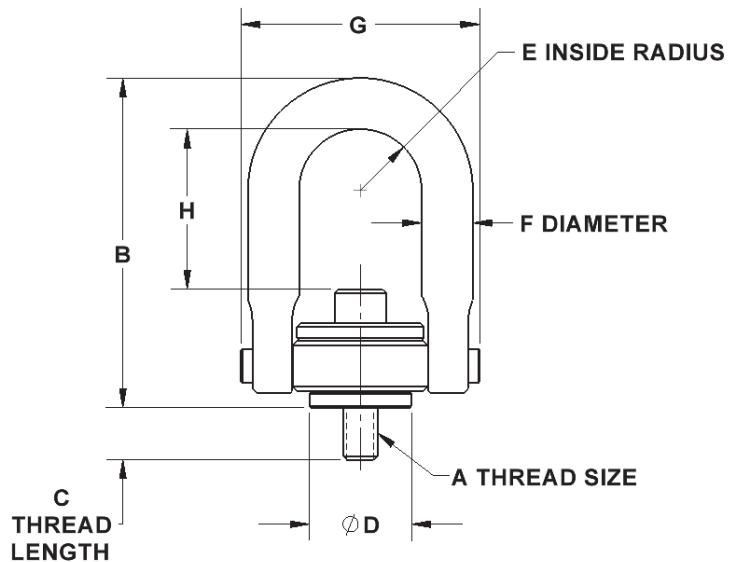
Replacement Bolt Kits on Page 27



Stainless Steel Traditional Center-Pull Hoist Rings

Introducing our 17-4 PH Center-Pull Style Hoist Ring! Another option for the most popular style in the market. Not only do you get the environmental protection of stainless steel, but you will also see the same load capacity as the alloy steel version.

- **Material:** 17-4 PH Stainless Steel
- Same strength/load capacity as alloy steel
- Capacities up to 5,000 lbs
- Inch and metric styles available
- Made in U.S.A.
- 3D Solid Models available in multiple formats from www.jergensinc.com
- Magnetic Particle Inspected
- Rated at 5:1 strength factor
- 360° Swivel, 180° Pivot
- Proof Tested 200%, Proof Test Certificate Provided
- 17-4 PH Stainless Steel hoist rings:
32°F (0°C) to 600°F (316°C) continuous or up to 800°F (426°C) intermittent. Sub-zero temperatures are not recommended for hoist rings made of the material in this condition.





Stainless Steel Traditional Center-Pull Hoist Rings

Inch

Part Number	Thread Size	Load Capacity (lbs)	B	Thread Length C	D	E	F	G	H	Torque (ft. lbs)	Weight (lbs)	Bolt Kit Part Number
23411-SS	1/2-13	2500	4.84	3/4	1.50	0.88	0.75	3.52	2 3/8	28	2.5	23611-SS
23414-SS	5/8-11	4000	4.84	1	1.50	0.88	0.75	3.52	2 1/4	60	2.7	23614-SS
23417-SS	3/4-10	5000	4.84	1	1.50	0.88	0.75	3.52	2 1/8	100	3.0	23617-SS

Metric

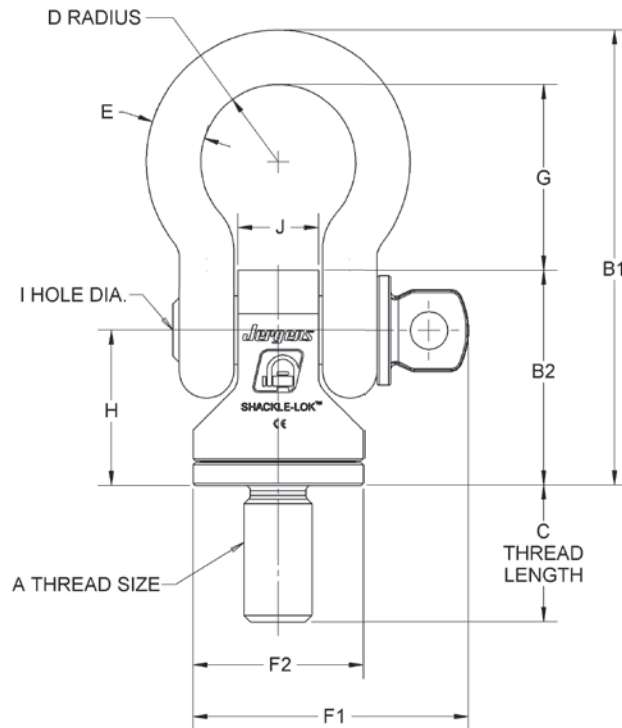
Part Number	Thread Size	Load Capacity (kg)	B	Thread Length C	D	E	F	G	H	Torque (Nm)	Weight (kg)	Bolt Kit Part Number
23462-SS	M12 x 1.75	1050	123.0	19	38.1	22.4	19	89.4	60.5	37	1.1	23662-SS
23465-SS	M16 x 2.0	1900	123.0	29	38.1	22.4	19	89.4	56.5	80	1.1	23665-SS
23468-SS	M20 x 2.5	2150	213.0	34	38.1	22.4	19	89.4	52.5	135	1.2	23668-SS

All dimensions are in millimeters.

If requesting large quantities or high volume please contact customer service via info@jergensinc.com or (866) 594-5565. For a self-service alternative, try our Quick Quoteform!



Shackle-Lok™ Hoist Rings



Shackle-Lok™ combines the strength of a hoist ring with the versatility of a shackle. Its unique, 3-piece design is ideal for use with a variety of lift methods, and shackles are interchangeable. Shackle-Lok™ is simply the industry's most efficient below-the-hook lifting device from a weight to load rating ratio.

The Shackle-Lok™ was designed to work with numerous thread sizes. Any straight thread size, pitch, or length can be manufactured to meet application needs.

- Internal ball bearings allow for smooth rotation under load
- Full 360° swivel and 180° pivot action
- Easy to remove shackle
- Rated 5:1 strength factor in line with bolt axis pull.
For other than in line with bolt axis pull, reduce rated load by 30%
- Material: alloy steel
- Bolt and base finish: black oxide
- Bolt and base are magnetic particle inspected
- Shackle finish: zinc plated with gold colored conversion coating
- Proof tested to 200% of rated load capacity
- Certificate of proof test provided
- Made in U.S.A.
- 3D Solid Models available in multiple formats from www.jergensinc.com
- Temp range -20°F to 400°F / -28°C to 204°C





Shackle-Lok™ Hoist Rings

Inch

Part Number		Thread Size A	Load ¹ Capacity (lbs)	Length			Inside Shackle Radius D	Shackle Dia Size E	Width		Inside Shackle Clearance G	Pin Hole to Base (H)	Pin Hole Dia (I)	Web Thick (J)	Torque ² (lbs*ft)	Weight (lbs)		Hex size	Installation Tool P/N
With Shackle	No Shackle			With Shackle B1	No Shackle B2	Thread Length C			With Shackle F1	No Shackle F2						With Shackle	No Shackle		
24400	24400NS	1/4-20	550	2.48	1.23	1/2	.38	1/4	1.57	.94	1.0	.95	.34	.40	3	0.26	0.15	5/32	24430
24401	24401NS	5/16-18	800	2.48	1.23	1/4	.38	1/4	1.57	.94	1.0	.95	.34	.40	5	0.26	0.15	5/32	
24402	24402NS	5/16-18	800	2.48	1.23	9/16	.38	1/4	1.57	.94	1.0	.95	.34	.40	5	0.27	0.16	5/32	
24403	24403NS	3/8-16	1000	2.48	1.23	9/16	.38	1/4	1.57	.94	1.0	.95	.34	.40	7	0.27	0.16	5/32	
24405	24405NS	1/2-13	2500	4.17	1.97	3/4	.71	1/2	2.96	1.50	1.7	1.42	.68	.74	23	1.32	0.62	1/4	24431
24406	24406NS	1/2-13	2500	4.17	1.97	1	.71	1/2	2.96	1.50	1.7	1.42	.68	.74	23	1.34	0.63	1/4	
24408	24408NS	1/2-13	2500	4.17	1.97	1 1/4	.71	1/2	2.96	1.50	1.7	1.42	.68	.74	23	1.35	0.65	1/4	
24409	24409NS	5/8-11	4000	4.17	1.97	3/4	.71	1/2	2.96	1.50	1.7	1.42	.68	.74	46	1.35	0.64	1/4	
24410	24410NS	5/8-11	4000	4.17	1.97	1	.71	1/2	2.96	1.50	1.7	1.42	.68	.74	46	1.37	0.66	1/4	24432
24411	24411NS	5/8-11	4000	4.17	1.97	1 1/4	.71	1/2	2.96	1.50	1.7	1.42	.68	.74	46	1.39	0.69	1/4	
24412	24412NS	3/4-10	5000	5.56	2.71	1	.94	5/8	3.72	2.30	2.23	2.06	.79	.98	69	3.42	1.98	3/8	
24413	24413NS	3/4-10	5000	5.56	2.71	1 1/2	.94	5/8	3.72	2.30	2.23	2.06	.79	.98	69	3.48	2.04	3/8	
24414	24414NS	7/8-9	8000	7.25	3.52	1	1.31	7/8	5.63	2.80	2.85	2.62	1.06	1.36	130	7.66	3.95	7/16	24433
24415	24415NS	7/8-9	8000	7.25	3.52	1 1/4	1.31	7/8	5.63	2.80	2.85	2.62	1.06	1.36	130	7.70	3.99	7/16	
24416	24416NS	1-8	10000	7.25	3.52	1 1/4	1.31	7/8	5.63	2.80	2.85	2.62	1.06	1.36	185	7.76	4.05	7/16	
24417	24417NS	1-8	10000	7.25	3.52	1 1/2	1.31	7/8	5.63	2.80	2.85	2.62	1.06	1.36	185	7.81	4.10	7/16	
24418	24418NS	1-8	10000	7.25	3.52	2 1/4	1.31	7/8	5.63	2.80	2.85	2.62	1.06	1.36	185	7.98	4.27	7/16	24434
24419	24419NS	1 1/4-7	15000	8.25	3.99	1 7/8	1.38	1	6.08	3.06	3.3	2.94	1.18	1.61	345	11.3	5.89	1/2	
24420	24420NS	1 1/4-8	15000	8.25	3.99	1 7/8	1.38	1	6.08	3.06	3.3	2.94	1.18	1.61	345	11.3	5.89	1/2	
24421	24421NS	1 1/2-6	24000	11.72	5.11	2 3/4	1.88	1 1/2	8.32	4.06	5.1	3.66	1.72	2.23	660	29.0	12.36	3/4	
24424	24424NS	2-4 1/2	30000	11.72	5.11	3 1/8	1.88	1 1/2	8.32	4.06	5.1	3.66	1.72	2.23	1100	30.6	13.97	3/4	24435
24426	24426NS	2 1/2-4	50000	14.22	6.52	4	2.25	1 3/4	9.57	5.25	6.0	4.47	2.07	2.67	2300	58.7	28.95	1	
24427	24427NS	2 1/2-8	50000	14.22	6.52	4	2.25	1 3/4	9.57	5.25	6.0	4.47	2.07	2.67	2300	58.7	29.02	1	

¹ Stated load capacity based on recommended thread torques as shown in chart.

² It is recommended that these torques be used when installing hoist rings.

Metric

Part Number		Thread Size A	Load ¹ Capacity (kg)	Length			Inside Shackle Radius D	Shackle Dia Size E	Width		Inside Shackle Clearance G	Pin Hole to Base (H)	Pin Hole Dia (I)	Web Thick (J)	Torque ² (Nm)	Weight (kg)		Hex size	Installation Tool P/N
With Shackle	No Shackle			With Shackle B1	No Shackle B2	Thread Length C			With Shackle F1	No Shackle F2						With Shackle	No Shackle		
24450	24450NS	M6 X 1.0	200	63.0	31.2	12	9.5	6.4	39.9	23.9	25	24.1	8.7	10.2	3	0.12	0.07	4	24437
24451	24451NS	M8 X 1.25	400	63.0	31.2	12.5	9.5	6.4	39.9	23.9	25	24.1	8.7	10.2	7	0.12	0.07	4	
24452	24452NS	M10 X 1.5	450	63.0	31.2	17.5	9.5	6.4	39.9	23.9	25	24.1	8.7	10.2	10	0.12	0.08	4	
24453	24453NS	M12 X 1.75	1050	105.9	50.0	19.5	18.0	12.7	75.1	38.1	43	36.1	17.1	18.8	27	0.60	0.28	8	24438
24455	24455NS	M16 X 2.0	1900	105.9	50.0	29	18.0	12.7	75.1	38.1	43	36.1	17.1	18.8	70	0.63	0.31	8	
24456	24456NS	M20 X 2.5	2150	141.2	68.8	32	23.8	15.9	94.4	58.4	57	52.3	20.0	24.9	105	1.57	0.92	10	
24457	24457NS	M22 X 2.5	3600	184.2	89.4	33	33.4	22.2	143.0	71.1	72	66.5	26.9	34.5	177	3.49	1.81	12	24440
24458	24458NS	M24 X 3.0	4200	184.2	89.4	37	33.4	22.2	143.0	71.1	72	66.5	26.9	34.5	225	3.52	1.84	12	
24459	24459NS	M30 X 3.5	7000	209.6	101.3	46	34.9	25.4	154.3	77.7	83	74.7	29.8	40.9	490	5.10	2.63	14	24441
24460	24460NS	M30 X 3.5	7000	209.6	101.3	66	34.9	25.4	154.3	77.7	83	74.7	29.8	40.9	490	5.22	2.74	14	
24463	24463NS	M36 X 4.0	11000	297.7	129.8	68	47.8	38.1	211.3	103.1	130	93.0	43.6	56.6	885	13.07	5.52	19	
24465	24465NS	M42 X 4.5	12500	297.7	129.8	68	47.8	38.1	211.3	103.1	130	93.0	43.6	56.6	1175	13.37	5.82	19	24442
24466	24466NS	M48 X 5.0	13500	297.7	129.8	88	47.8	38.1	211.3	103.1	130	93.0	43.6	56.6	1420	13.87	6.32	19	
24468	24468NS	M64 X 6.0	22500	361.2	165.6	96	57.2	44.5	243.0	133.4	151	113.5	52.5	67.8	3140	26.50	13.04	24	

All dimensions are in millimeters.

¹ Stated load capacity based on recommended thread torques as shown in chart.

² It is recommended that these torques be used when installing hoist rings.

Shackle Material: Carbon Steel

Shackle Type: IV A, Grade A, Class 2

Note: When tightening the bolt, the shackle and pin must be removed. Not intended for prolonged rotation



Forged Center-Pull Hoist Rings



Our Forged Center Pull Hoist Ring integrates a solid center brace lift bail into our most popular style product. This design eliminates the possibility of spreading the lift ring in misapplications. Forged hoist rings are ideal for OEM and industrial use.

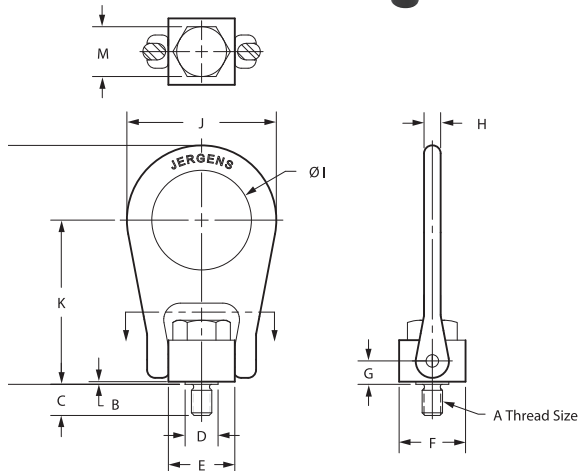
- **Material: Alloy Steel**
- **Full (over center) 360° swivel and 180° pivot action**
- **Capacities up to 30,000 lbs/13,500 kg**
- **Inch and metric**
- **5:1 strength factor**
- **Proof tested to 200% of rated load capacity**
- **Available in 17-4PH Stainless Steel (up to 5,000 lbs/2,150 kg) See page 14**
- **Made in U.S.A.**
- **3D Solid Models available in multiple formats from www.jergensinc.com**
- **-20°F (-28°C) to 400°F (204°C)**
- **Magnetic particle inspected**
- **Lifting Tooling Columns & Large Fixtures**
- **OEM Applications**
- **Lifting Die & Molds**

Ring Bail

Part Numbers:

23906 thru 23918 (Inch)

23956 thru 23968 (Metric)

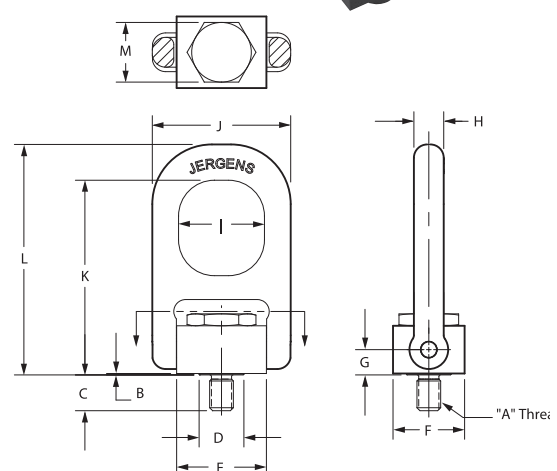


Large Bail

Part Numbers:

23926 thru 23936 (Inch)

23974 thru 23987 (Metric)





Forged Center-Pull Hoist Rings

Inch

Part Number	Load Capacity (lbs)	Thread Size A	B	C	D	E	F	G	H	I	J	K	L	Hex Size M	Torque (ft. lbs)	Weight (lbs)
23906	800	5/16-18	3/64	15/32	1/2	1	1	11/32	1/4	1 1/2	2 1/4	2 15/32	3 19/32	3/4	7	0.6
23907	800	5/16-18	3/64	5/8	1/2	1	1	11/32	1/4	1 1/2	2 1/4	2 15/32	3 19/32	3/4	7	0.6
23908	1000	3/8-16	3/64	9/16	1/2	1	1	11/32	1/4	1 1/2	2 1/4	2 15/32	3 19/32	3/4	12	0.6
23909	1000	3/8-16	3/64	3/4	1/2	1	1	11/32	1/4	1 1/2	2 1/4	2 15/32	3 19/32	3/4	12	0.6
23910	2500	1/2-13	1/16	11/16	1	2	1 1/2	9/16	3/4	3	4 7/16	4	6 3/8	1 1/4	28	3.6
23911	2500	1/2-13	1/16	1	1	2	1 1/2	9/16	3/4	3	4 7/16	4	6 3/8	1 1/4	28	3.6
23914	4000*	5/8-11	1/16	15/16	1	2	1 1/2	9/16	3/4	3	4 7/16	4	6 3/8	1 1/4	60	3.6
23915	4000*	5/8-11	1/16	1 1/4	1	2	1 1/2	9/16	3/4	3	4 7/16	4	6 3/8	1 1/4	60	3.6
23917	5000	3/4-10	1/16	1 1/8	1	2	1 1/2	9/16	3/4	3	4 7/16	4	6 3/8	1 1/4	100	3.6
23918	5000	3/4-10	1/16	1 1/2	1	2	1 1/2	9/16	3/4	3	4 7/16	4	6 3/8	1 1/4	100	3.6
†23926	10000	1-8	1/16	1 1/2	1 7/8	3 25/32	3	1 1/16	1 1/4	3 19/32	5 13/16	8 5/32	9 21/32	2 1/2	230	15.7
†23927	10000	1-8	1/16	2	1 7/8	3 25/32	3	1 1/16	1 1/4	3 19/32	5 13/16	8 5/32	9 21/32	2 1/2	230	15.9
†23929	15000	1 1/4-7	1/16	1 7/8	1 7/8	3 25/32	3	1 1/16	1 1/4	3 19/32	5 13/16	8 5/32	9 21/32	2 1/2	470	16
†23930	15000	1 1/4-7	1/16	2 1/2	1 7/8	3 25/32	3	1 1/16	1 1/4	3 19/32	5 13/16	8 5/32	9 21/32	2 1/2	470	16.2
†23933	24000	1 1/2-6	7/64	2 1/4	2 1/2	4 7/8	4 1/2	1 7/16	1 3/4	4 1/2	7 23/32	11 7/16	13 27/32	3 1/4	800	42.3
†23934	24000	1 1/2-6	7/64	3	2 1/2	4 7/8	4 1/2	1 7/16	1 3/4	4 1/2	7 23/32	11 7/16	13 27/32	3 1/4	800	42.7
†23935	30000	2-4 1/2	7/64	3	2 1/2	4 7/8	4 1/2	1 7/16	1 3/4	4 1/2	7 23/32	11 7/16	13 27/32	3 1/4	800	43.8
†23936	30000	2-4 1/2	7/64	4	2 1/2	4 7/8	4 1/2	1 7/16	1 3/4	4 1/2	7 23/32	11 7/16	13 27/32	3 1/4	800	44.7

* Rated load may be reduced at 90° from vertical.

† Denotes Large Bail

Metric

Part Number	Load Capacity (kg)	Thread Size A	B	C	D	E	F	G	H	I	J	K	L	Hex Size M	Torque (Nm)	Weight (kg)
23956	400*	M8 x 1.25	1.2	12	12.7	25.4	25.4	8.7	6.3	38.1	57.2	62.7	91.3	19	10	0.27
23958	450	M10 x 1.5	1.2	15	12.7	25.4	25.4	8.7	6.3	38.1	57.2	62.7	91.3	19	17	0.27
23962	1050*	M12 x 1.75	1.6	18	25.4	50.8	38.1	14.3	19	76.2	112.7	101.6	161.9	32	37	1.64
23965	1900	M16 x 2.0	1.6	24	25.4	50.8	38.1	14.3	19	76.2	112.7	101.6	161.9	32	80	1.64
23968	2150	M20 x 2.5	1.6	30	25.4	50.8	38.1	14.3	19	76.2	112.7	101.6	161.9	32	134	1.7
†23974	4200	M24 x 3.0	1.6	35.7	47.6	96	76.2	27	31.7	91.3	147.6	207.2	245.3	63.5	305	7.1
†23975	4200	M24 x 3.0	1.6	47.6	47.6	96	76.2	27	31.7	91.3	147.6	207.2	245.3	63.5	305	7.2
†23978	7000*	M30 x 3.5	1.6	44.8	47.6	96	76.2	27	31.7	91.3	147.6	207.2	245.3	63.5	590	7.3
†23979	7000*	M30 x 3.5	1.6	60	47.6	96	76.2	27	31.7	91.3	147.6	207.2	245.3	63.5	590	7.4
†23982	11000	M36 x 4.0	2.8	53.6	63.5	123.8	114.3	36.5	44.5	114.3	196.1	290.5	351.6	82.55	960	19.1
†23983	11000*	M36 x 4.0	2.8	71.4	63.5	123.8	114.3	36.5	44.5	114.3	196.1	290.5	351.6	82.55	960	19.3
†23984	12500	M42 x 4.5	2.8	62.7	63.5	123.8	114.3	36.5	44.5	114.3	196.1	290.5	351.6	82.55	980	19.4
†23985	12500	M42 x 4.5	2.8	83.3	63.5	123.8	114.3	36.5	44.5	114.3	196.1	290.5	351.6	82.55	980	19.6
†23986	13500	M48 x 5.0	2.8	71.4	63.5	123.8	114.3	36.5	44.5	114.3	196.1	290.5	351.6	82.55	980	19.7
†23987	13500	M48 x 5.0	2.8	95.3	63.5	123.8	114.3	36.5	44.5	114.3	196.1	290.5	351.6	82.55	980	20

All dimensions are in millimeters.

* Rated load may be reduced at 90° from vertical.

† Denotes Large Bail.



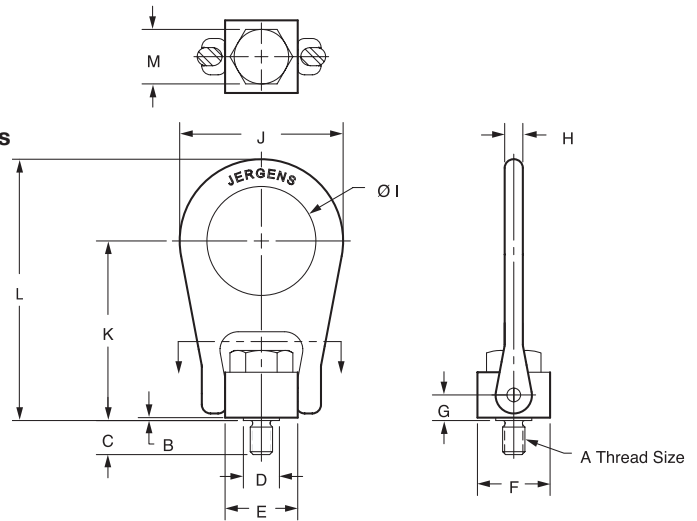


Stainless Steel Forged Center-Pull Hoist Rings

Our Forged Center Pull Hoist Ring integrates a solid center brace lift bail into our most popular style product. This design eliminates the possibility of spreading the lift ring in misapplications. Forged hoist rings are ideal for OEM and industrial use.



- **Material: 17-4PH**
- **Same strength/load capacity as steel**
- **Full (over center) 360° swivel and 180° pivot action**
- **Capacities up to 5,000 lbs**
- **Inch and metric**
- **5:1 strength factor**
- **Proof tested to 200% of rated load capacity**
- **Maximum operating temperature 800°F Intermittent, 600°F continuous**
- **Made in U.S.A.**
- **3D Solid Models available in multiple formats from www.jergensinc.com**
- **Magnetic particle inspected**



Inch

Part Number	Load Capacity (lbs)	Thread Size A	B	C	D	E	F	G	H	I	J	K	L	Hex Size M	Torque (ft. lbs)	Weight (lbs)
23906-SS	800	5/16-18	3/64	15/32	1/2	1	1	11/32	1/4	1 1/2	2 1/4	2 15/32	3 19/32	3/4	7	0.6
23907-SS	800	5/16-18	3/64	5/8	1/2	1	1	11/32	1/4	1 1/2	2 1/4	2 15/32	3 19/32	3/4	7	0.6
23908-SS	1000	3/8-16	3/64	9/16	1/2	1	1	11/32	1/4	1 1/2	2 1/4	2 15/32	3 19/32	3/4	12	0.6
23909-SS	1000	3/8-16	3/64	3/4	1/2	1	1	11/32	1/4	1 1/2	2 1/4	2 15/32	3 19/32	3/4	12	0.6
23910-SS	2500	1/2-13	1/16	11/16	1	2	11/2	9/16	3/4	3	4 7/16	4	6 3/8	1 1/4	28	3.6
23911-SS	2500	1/2-13	1/16	1	1	2	11/2	9/16	3/4	3	4 7/16	4	6 3/8	1 1/4	28	3.6
23914-SS	4000	5/8-11	1/16	15/16	1	2	11/2	9/16	3/4	3	4 7/16	4	6 3/8	1 1/4	60	3.6
23915-SS	4000	5/8-11	1/16	11/4	1	2	11/2	9/16	3/4	3	4 7/16	4	6 3/8	1 1/4	60	3.6
23917-SS	5000	3/4-10	1/16	11/8	1	2	11/2	9/16	3/4	3	4 7/16	4	6 3/8	1 1/4	100	3.6
23918-SS	5000	3/4-10	1/16	11/2	1	2	11/2	9/16	3/4	3	4 7/16	4	6 3/8	1 1/4	100	3.6

Metric

Part Number	Load Capacity (kg)	Thread Size A	B	C	D	E	F	G	H	I	J	K	L	Hex Size M	Torque (Nm)	Weight (kg)
23956-SS	400	M8 x 1.25	1.2	12	12.7	25.4	25.4	8 7/10	6.3	38.1	57.2	62.7	91.3	19	10	0.27
23958-SS	450	M10 x 1.5	1.2	15	12.7	25.4	25.4	8 7/10	6.3	38.1	57.2	62.7	91.3	19	17	0.27
23962-SS	1050	M12 x 1.75	1.6	18	25.4	50.8	38.1	14 3/10	19	76.2	112.7	101.6	161.9	32	37	1.64
23965-SS	1900	M16 x 2.0	1.6	24	25.4	50.8	38.1	14 3/10	19	76.2	112.7	101.6	161.9	32	80	1.64
23968-SS	2150	M20 x 2.5	1.6	30	25.4	50.8	38.1	14 3/10	19	76.2	112.7	101.6	161.9	32	134	1.7

All dimensions are in millimeters.

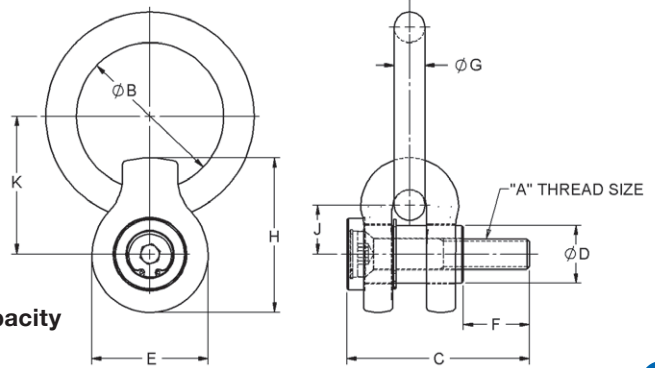




Traditional Side-Pull Hoist Rings Precision Cast Body



- Rated at 5:1 Strength Factor
- Material: Alloy Steel
- Clevis, Ring, Bushing and Cap Screw are magnetic particle inspected
- Clevis is X-rayed
- Finish: Black Oxide
- Proof Tested to 200% of Rated Load Capacity
- Made in U.S.A.
- 3D Solid Models available in multiple formats from www.jergensinc.com
- Available with Envirolox™ protective finish
See page 26 for more information
- -20°F (-28°C) to 400°F (204°C)



360° swivel plus pivot point moves around bolt to provide greater clearances in side lifting and when lifting rotating objects.

Inch

Part Number	Envirolox™ Part Number	Load ¹ Capacity (lbs)	Thread Size A	B	C	D	E	F	G	H	J	K	Torque ² (ft. lbs)	Wt. (lbs)	Bolt Kit	Envirolox™ Bolt Kit
47311	47311-E	650	5/16 - 18	2	2 1/8	11/16	1 1/2	5/8	3/8	2	5/8	1 13/16	3.5	.25	47341	47341-E
47312	47312-E	800	3/8 - 16	2	2 3/8	11/16	1 1/2	3/4	3/8	2	5/8	1 13/16	4.5	.25	47342	47342-E
47313	47313-E	1800	1/2 - 13	3	3 3/8	13/16	2 3/8	1	5/8	3 3/16	1	2 13/16	15	3.25	47343	47343-E
47314	47314-E	2500	5/8 - 11	3	3 5/8	13/16	2 3/8	1 1/4	5/8	3 3/16	1	2 13/16	25	3.25	47344	47344-E
47315	47315-E	4100	3/4 - 10	4	5	1 15/16	3 3/4	1 1/2	1	5	1 9/16	4 1/16	50	11.25	47345	47345-E
47316	47316-E	7100	1 - 8	4	5 3/8	1 15/16	3 3/4	2	1	5	1 9/16	4 1/16	90	11.50	47346	47346-E
47317	47317-E	14000	1 1/4 - 7	6	6 7/8	3	4 5/8	2	1 3/8	6 13/16	2 3/8	6 1/16	150	27.75	47347	47347-E
47317-08	-	14000	1 1/4 - 8	6	6 7/8	3	4 5/8	2	1 3/8	6 13/16	2 3/8	6 1/16	150	27.75	-	-
47318	47318-E	17200	1 1/2 - 6	6	7 3/8	3	4 5/8	2 1/2	1 3/8	6 13/16	2 3/8	6 1/16	250	31.50	47348	47348-E
47318-08	-	17200	1 1/2 - 8	6	7 3/8	3	4 5/8	2 1/2	1 3/8	6 13/16	2 3/8	6 1/16	250	31.50	-	-
*47319	47319-E	29000	2 - 4 1/2	5 1/4x10 - 1/2	10	3	4 5/8	3 1/8	1 1/2	6 13/16	2 3/8	10 5/8	300	42.00	47349	47349-E
*47319-08	-	29000	2 - 8	5 1/4x10 - 1/2	10	3	4 5/8	3 1/8	1 1/2	6 13/16	2 3/8	10 5/8	300	42.00	-	-

¹ Stated load capacity based on specific thread torques as shown in chart.

² It is recommended that these torques be used when installing hoist rings.

*Ring is oblong.

Metric

Part Number	Envirolox™ Part Number	Load ¹ Capacity (kg)	Thread Size A	B	C	D	E	F	G	H	J	K	Torque ² (Nm)	Bolt Kit	Envirolox™ Bolt Kit
47351	47351-E	325	M8x1.25	50.8	61	17.4	38.1	16	9.5	50.8	15	46	4	47391	47391-E
47352	47352-E	500	M10x1.50	50.8	63	17.4	38.1	20	9.5	50.8	15	46	6	47392	47392-E
47353	47353-E	725	M12x1.75	76.2	85	30.1	60.3	24	15.9	81	25	71	20	47393	47393-E
47354	47354-E	1400	M16x2.0	76.2	94	30.1	60.3	31	15.9	81	25	71	34	47394	47394-E
47355	47355-E	2290	M20x2.5	101.6	133	48.4	95.3	40	25.4	125.4	39.5	103	70	47395	47395-E
47356	47356-E	3050	M24x3.0	101.6	147	48.4	95.3	47	25.4	125.4	39.5	103	125	47396	47396-E
47357	47357-E	4850	M30x3.5	152.0	173.8	76.2	43.6	43 3/5	31.7	173	60.3	154	340	47397	47397-E
47358	47358-E	7500	M36 x 4.0	152.0	191	76.2	117.5	67 1/2	35	173	60.3	270	540	47398	47398-E

All dimensions are in millimeters.

¹ Stated load capacity based on specific thread torques as shown in charts.

² It is recommended that these torques be used when installing hoist rings.



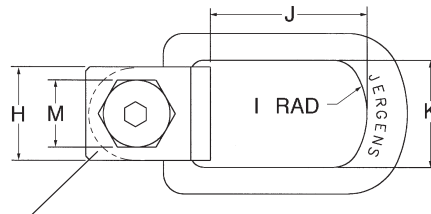
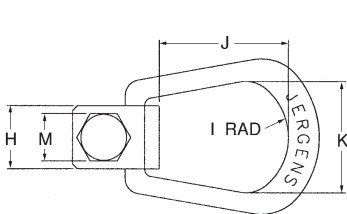


SP 2000™ Side-Pull Hoist Rings



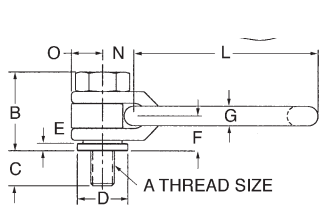
The Jergens SP2000™ Side-Pull Style Hoist Ring is ideal for flipping fixtures, dies and molds. It swivels 360° and pivots around the center bolt providing the ring with greater clearances in side lifting applications and when lifting rotating objects. The hoist ring is low profile and has a unique bolt retention design. The oversized forged ring, and single piece forging, easily adapts to larger hoist hooks. Its relatively light weight makes it easier to handle than similar hoist rings and the installation is conveniently done with external wrenching (47531, 47532) or internal/external wrenching (all other sizes). All parts are made in the U.S.A.

- **Can Be Used for Top Lifting as well as side lifting applications Full Swivel & Pivot Action**
- **Rated at 5:1 strength factor at any angle**
- **Material: Alloy Steel**
- **Finish: Black Oxide**
- **Proof Tested to 200% of Rated Load Capacity**
- **Made in U.S.A.**
- **3D Solid Models available in multiple formats from www.jergensinc.com**
- **-20°F (-28°C) to 400°F (204°C)**
- **Magnetic particle inspected**
- **Also Available in Lift-Check™ on pages 22-23**



†For Inch Part Numbers: 47537, 47538, 47539

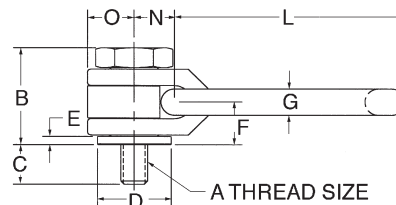
*For Metric Part Numbers: 47587, 47588, 47591, 47589



External Wrench Mounting

Inch Part Numbers: 47531 & 47532

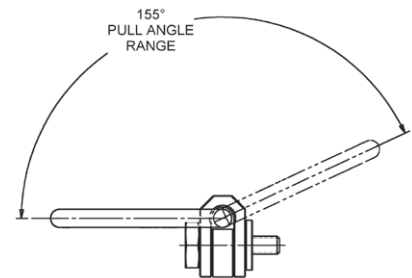
Metric Part Numbers: 47581 & 47582



Internal/External Wrench Mounting

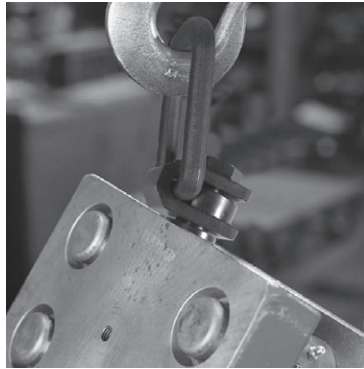
Inch Part Numbers: 47533 thru 47539

Metric Part Numbers: 47583 thru 47589, 47591





SP 2000™ Side-Pull Hoist Rings



SIDE-PULL APPLICATION



TOP-PULL APPLICATION

Inch Threads (Includes Gold Colored Spacer)

Part Number	Load Capacity (lbs)	Thread Size A	B	C	D	E	F	G	H	I	J	K	L	M	N	O	Torque (ft. lbs)	Hex Size	Wt. (lbs)
47531	650*	5/16-18	1 9/32	15/32	13/16	1/8	9/16	5/16	1	1	2 1/16	1 3/4	3	3/4	1/2	1/2	4	–	.5
47532	800	3/8-16	1 9/32	5/8	13/16	1/8	9/16	5/16	1	1	2 1/16	1 3/4	3	3/4	1/2	1/2	5	–	.5
47533	1800	1/2-13	1 7/8	3/4	1 3/8	5/32	13/16	1/2	1 3/4	1 1/2	3 3/8	2	4 3/4	1 1/4	3/4	7/8	15	1/4	2
47534	2500	5/8-11	1 7/8	15/16	1 3/8	5/32	13/16	1/2	1 3/4	1 1/2	3 3/8	2	4 3/4	1 1/4	3/4	7/8	25	5/16	2
47535	4100	3/4-10	2 5/16	1 1/8	1 7/8	1/4	1 1/32	5/8	2 1/4	2	4	2 5/8	5 11/16	1 3/4	1	1 1/8	50	3/8	4
47536	7100	1-8	2 5/16	1 1/2	1 7/8	1/4	1 1/32	5/8	2 1/4	2	4	2 5/8	5 11/16	1 3/4	1	1 1/8	130	1/2	4.5
†47537	14000	1 1/4-7	4 9/16	1 7/8	3 1/4	23/64	2 5/32	1 1/16	3 3/4	3	7 11/16	4 3/8	10 7/16	3	1 15/16	1 7/8	150	3/4	24.50
†47538	17200	1 1/2-6	4 9/16	2 1/4	3 1/4	23/64	2 5/32	1 1/16	3 3/4	3	7 11/16	4 3/8	10 7/16	3	1 15/16	1 7/8	250	3/4	30
†47539	29000*	2-4 1/2	4 9/16	3	3 1/4	23/64	2 5/32	1 1/16	3 3/4	3	7 11/16	4 3/8	10 7/16	3	1 15/16	1 7/8	300	3/4	26.50

* Rated load may be reduced at 90° from vertical.

Metric Threads (Includes Blue Colored Spacer)

Part Number	Load Capacity (kg)	Thread Size A	B	C	D	E	F	G	H	I	J	K	L	M	N	O	Torque (Nm)	Hex Size	Wt. (kg)
47581	325	M8 x 1.25	33	16	21	3	14	8	25	25	52	44	76	19	13	13	5	–	0.25
47582	500	M10 x 1.5	33	20	21	3	14	8	25	25	52	44	76	19	13	13	10	–	0.25
47583	725	M12 x 1.75	48	24	35	4	21	13	44	38	86	51	120	32	19	22	20	6	1
47584	1400	M16 x 2	48	32	35	4	21	13	44	38	86	51	120	32	19	22	40	8	1
47585	2290*	M20 x 2.5	59	40	48	6	26	16	57	51	102	67	145	44	25	29	70	10	2
47586	3050	M24 x 3	59	48	48	6	26	16	57	51	102	67	145	44	25	29	140	12	2
‡47587	4850	M30 x 3.5	117	60	83	9	52	27	95	76	196	111	265	76	49	48	350	41.3	11.1
‡47588	7500	M36 x 4	117	72	83	9	52	27	95	76	196	111	265	76	49	48	550	41.3	11.3
‡47591	8700	M42 x 4.5	117	84	83	9	52	27	95	76	196	111	265	76	49	48	800	41.3	11.8
‡47589	10000	M48 x 5	122	96	83	9	52	27	95	76	196	111	265	80	49	48	1200	41.3	12.5

All dimensions are in millimeters.

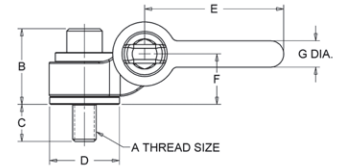
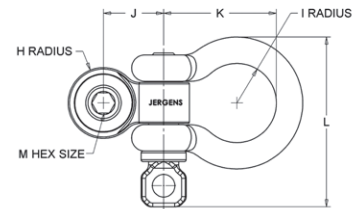
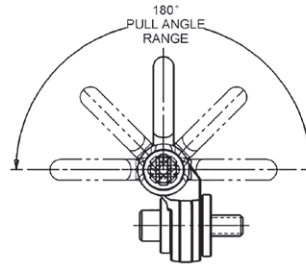
* Rated load may be reduced at 90° from vertical.



Die-Flipping Hoist Rings

Building on the popularity of our SP2000™ and combining the shackle feature of our Shackle-Lok™ style hoist ring, the Die-Flipping hoist ring is the latest solution for your flipping needs. With its offset neck, it will help to clear die shoes, external plumbing, etc. to allow the unit to rotate and pivot as needed. It will swivel 360° as it is free to swivel around the center bolt, allowing greater clearances in side lifting applications where lifting and rotating of the objects is needed. Also available with Jergens' patented proprietary hex head cap screw Lift-Check™ bolt.

- **Material: Alloy Steel**
- **Body Finish: Black Oxide**
- **Shackle Finish: Zinc Plated with gold colored conversion coating**
- **Magnetic Particle Inspected**
- **Rated at 5:1 strength factor**
- **360° Swivel, 180° Pivot**
- **Proof Tested 200%, Proof Test Certificate Provided**
- **Temp Range -20°F (-28°C) to 400°F (204°C)**
- **Made in U.S.A.**
- **3D Solid Models available in multiple formats from www.jergensinc.com**
- **Available in Inch and Metric sizes**
- **CE Certified**
- **Conforms to ASME B30.26 and MIL-STD-209**



If requesting large quantities or high volume please contact customer service via info@jergensinc.com or (866) 594-5565. For a self-service alternative, try our Quick Quoteform!

Inch

Part Number	Load Capacity (lbs)	Thread Size	B	C	D	E	F	G	H	I	J	K	L	Hex Size M	Torque (ft.lbs)	Weight (lbs)
47913	1650	1/2-13	1 3/4	3/4	1.50	2 3/4	1 5/32	1/2	5 7/64	3/4	1 23/64	2 1/4	2 31/32	3/8	28	1.6
47914	2500	5/8-11	1 7/8	1	1.50	2 3/4	1 5/32	1/2	5 7/64	3/4	1 23/64	2 1/4	2 31/32	1/2	60	1.7
47915	4100	3/4-10	2 15/32	1	2.32	4 5/8	1 43/64	7/8	1 3/16	1 5/16	2	3 3/4	5 5/8	5/8	100	6.7
47916	7100	1-8	2 1/2	1 1/2	2.32	4 5/8	1 43/64	7/8	1 3/16	1 5/16	2	3 3/4	5 5/8	3/4	230	7.2
47917	12000	1 1/4-7	3 3/8	1 7/8	3.19	5 5/16	2 3/16	1	1 47/64	1 3/8	2 49/64	4 5/16	6 1/8	7/8	470	13.1
47918	16700	1 1/2-6	3 5/8	2 3/8	3.19	5 5/16	2 3/16	1	1 47/64	1 3/8	2 49/64	4 5/16	6 1/8	1	800	14.2

Metric

Part Number	Load Capacity (kg)	Thread Size	B	C	D	E	F	G	H	I	J	K	L	Hex Size M	Torque (Nm)	Weight (kg)
47921	650	M12 x 1.75	43.5	19	38	70	29	12.7	22.6	19	34.5	57	75	10	37	0.7
47922	1200	M16 x 2	47.5	29	38	70	29	12.7	22.6	19	34.5	57	75	14	80	0.8
47923	2100	M20 x 2.5	64	31	59	117.4	42.5	22.2	32.5	33.3	51	95	143	17	135	3.1
47924	2950	M24 x 3	68	36	59	117.4	42.5	22.2	32.5	33.3	51	95	143	19	305	3.2
47925	4850	M30 x 3.5	84	46	81	135	55.5	25.4	44	35	70	110	155	22	590	5.8
47926	6700	M36 x 4	90	56	81	135	55.5	25.4	44	35	70	110	155	27	960	6.2

All dimensions are in millimeters.



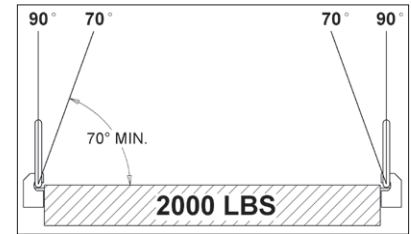


Side Swivel™ Lifting Rings



Jergens new Side Swivel™ Lifting Ring is designed specifically for OEM type applications. It replaces potentially dangerous eyebolts on commercial, military, and industrial lifts requiring full swivel and pivoting action.

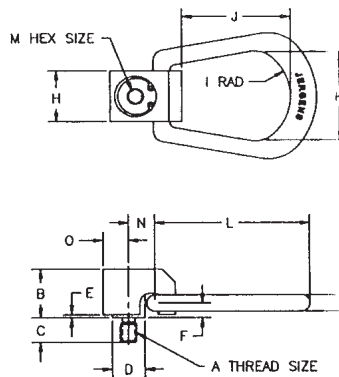
- 5:1 strength factor
- Unique 3 piece design
- Capacities up to 4,100 lbs
- Inch and metric
- OEM Pricing
- 3D Solid Models available in multiple formats from www.jergensinc.com
- Material: Alloy Steel
- Made in U.S.A.
- -20°F (-28°C) to 400°F (204°C)
- Magnetic particle inspected



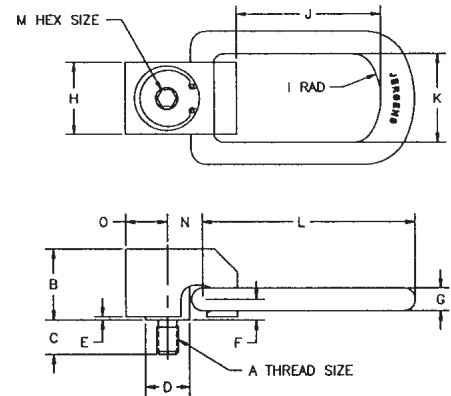
Ideally suited for OEM applications



Small Side Swivel*



Large Side Swivel



Inch

Part Number	Load Capacity (lbs)	Thread Size A	B	C	D	E	F	G	H	I	J	K	L	Hex Size M	N	O	Torque (ft. lbs)	Wt. (lbs)
47800*	650	5/16-18	15/16	15/32	5/8	1/16	9/32	5/16	1	1	2 1/16	1 3/4	2 31/32	1/4	1/2	1/2	3.5	0.6
47801*	800	3/8-16	15/16	9/16	5/8	1/16	9/32	5/16	1	1	2 1/16	1 3/4	2 31/32	1/4	1/2	1/2	4.5	0.6
47802	1800	1/2-13	1 37/64	3/4	1	5/64	7/16	1/2	1 5/8	1 1/2	3 1/4	2	4 3/4	3/8	25/32	15/16	15	2.5
47803	2500	5/8-11	1 37/64	15/16	1	5/64	7/16	1/2	1 5/8	1 1/2	3 1/4	2	4 3/4	3/8	25/32	15/16	25	2.5
47804	4100	3/4-10	1 37/64	11/8	1	5/64	7/16	1/2	1 5/8	1 1/2	3 1/4	2	4 3/4	3/8	25/32	15/16	50	2.5

* Small Side Swivel

Metric

Part Number	Load Capacity (kg)	Thread Size A	B	C	D	E	F	G	H	I	J	K	L	M	N	O	Torque (Nm)	Wt. (kg)
47850*	325	M8 x 1.25	23.8	15.8	15.8	1.6	7.2	7.9	25.4	25.4	52.4	44.5	75.4	6	12.7	12.7	4.2	0.27
47851*	500	M10 x 1.5	23.8	19.8	15.8	1.6	7.2	7.9	25.4	25.4	52.4	44.5	75.4	6	12.7	12.7	6	0.27
47852	725	M12 x 1.75	40.1	23.8	25.4	2	11.1	12.7	41.3	38.1	82.6	50.8	120.7	10	20	24	20	1.14
47853	1400	M16 x 2.0	40.1	31.8	25.4	2	11.1	12.7	41.3	38.1	82.6	50.8	120.7	10	20	24	40	1.14
47854	2290	M20 x 2.5	40.1	39.7	25.4	2	11.1	12.7	41.3	38.1	82.6	50.8	120.7	10	20	24	70	1.18

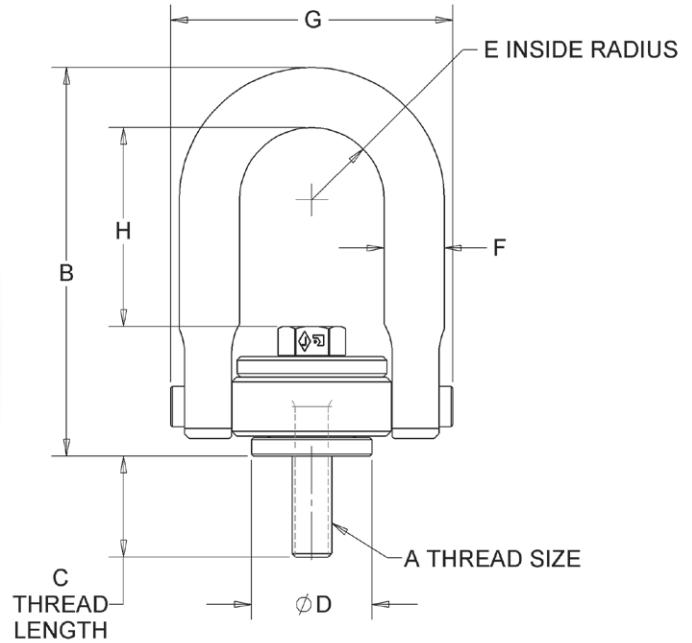
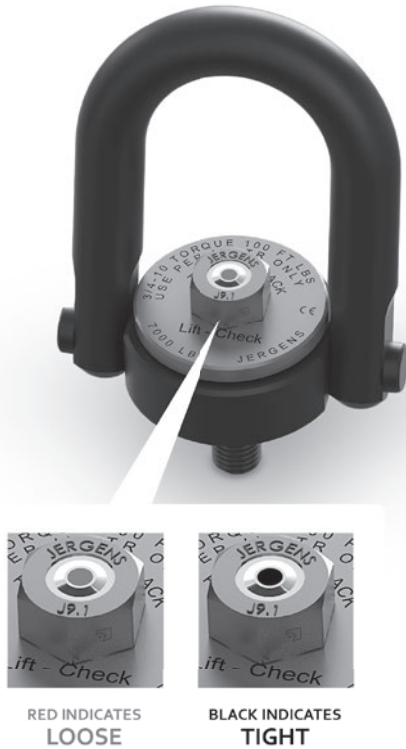
All dimensions are in millimeters.

* Small Side Swivel





Lift-Check™ Center-Pull Hoist Rings



The Jergens Lift-Check™ hoist ring assures that your application is secure and ready to lift. The Lift-Check™ is comprised of a Jergens' patented proprietary hex head screw which integrates the Visual Tension Indicator.

Patented Lift-Check™ Center Pull and Forged Style Hoist Rings are rated at 5:1 strength Factor & Proof tested to 200% of rated load capacity, certificate of proof test provided, in accordance with ASME B30.26. Visual Tension Indicator confirms engagement – clearly illustrates whether bolt joint is loose or tight. Ensures safety and provides accuracy of +/- 10% of designed tension. Hands-free inspection at a distance, prior to the lift. Reduces installation time. No torque wrench or calibration needed. Lift-Check™ bolts are reusable and provide reliable visual indication of joint clamping force. Bolt kits available for Jergens hoist ring upgrades.

- **Material:** Alloy Steel
- **Finish:** Black Oxide
- **Washer:** Zinc Plated with Yellow Chromate Coating (Inch), Clear/Blue Conversion Coating (Metric)
- **U-bar, Bolt, Pins, Base, Washer and Bushing** Magnetic Particle Inspected
- **Rated at 5:1 Strength Factor**
- **Made in U.S.A.**
- **3D Solid Models** available in multiple formats from www.jergensinc.com
- **Full 360° Swivel and 180° Pivot**
- **Conforms to ASME B30.26 and Mil-STD-209K**
- **Temperature variations may apply** (-20°C to 75°C / -4°F to 168°F)
- **No torque wrench or calibration required, thus reducing installation time**
- **The Lift-Check™ hoist ring visual tension indicator confirms engagement—clearly illustrates whether the bolted joint is loose or tight**
- **Hands-free inspection at a distance, prior to the lift**
- **Proof Tested to 200% of rated load capacity**
- **Available in inch and metric sizes**
- **U.S. Patent No. 10,950,174**





Lift-Check™ Center-Pull Hoist Rings

Inch

Thread Size A	Load Capacity (lbs)	Standard U-Bar		Long U-Bar		Thread Length C	D	E	F	G	Std U-Bar H	Long U-Bar H	Torque (ft. lbs)	Wt. (lbs)	BOLT REPLACEMENT KIT
		Part #	B	Part #	B										
1/2-13	2500*	23410LC	3.75	-	-	1 1/16	1.20	0.69	0.50	2.56	1 29/32	-	28	1.0	23610LC
1/2-13	2500	23411LC	4.84	23511LC	6.72	3/4	1.50	0.88	0.75	3.52	2 1/2	4 3/8	28	2.5	23611LC
1/2-13	2500	23412LC	4.84	23512LC	6.72	1	1.50	0.88	0.75	3.52	2 1/2	4 3/8	28	2.5	23612LC
1/2-13	2500	23413LC	4.84	23513LC	6.72	1 1/4	1.50	0.88	0.75	3.52	2 1/2	4 3/8	28	2.5	23613LC
5/8-11	4000*	23414LC	4.84	23514LC	6.72	1	1.50	0.88	0.75	3.52	2 13/32	4 11/32	60	2.7	23614LC
5/8-11	4000*	23415LC	4.84	23515LC	6.72	1 1/4	1.50	0.88	0.75	3.52	2 13/32	4 11/32	60	2.7	23615LC
5/8-11	4000*	23416LC	4.84	23516LC	6.72	3/4	1.50	0.88	0.75	3.52	2 13/32	4 11/32	60	2.7	23616LC
3/4-10	5000	23417LC	4.84	23517LC	6.72	1	1.50	0.88	0.75	3.52	2 5/16	4 3/16	100	3.0	23617LC
3/4-10	5000	23418LC	4.84	23518LC	6.72	1 1/2	1.50	0.88	0.75	3.52	2 5/16	4 3/16	100	3.0	23618LC
3/4-10	7000*	23420LC	6.42	23520LC	8.11	1	2.31	1.40	1.03	5.14	3 1/8	4 3/16	100	6.8	23620LC
3/4-10	7000*	23421LC	6.42	23521LC	8.11	1 1/2	2.31	1.40	1.03	5.14	3 1/8	4 3/16	100	6.8	23621LC
7/8-9	8000*	23423LC	6.42	23523LC	8.11	1	2.31	1.40	1.03	5.14	2 31/32	4 9/16	160	7.0	23623LC
7/8-9	8000*	23424LC	6.42	23524LC	8.11	1 1/4	2.31	1.40	1.03	5.14	2 31/32	4 9/16	160	7.0	23624LC
1-8	10000	23425LC	6.42	23525LC	8.11	1 1/4	2.31	1.40	1.03	5.14	27/8	4 15/32	230	7.3	23625LC
1-8	10000	23426LC	6.42	23526LC	8.11	1 1/2	2.31	1.40	1.03	5.14	27/8	4 15/32	230	7.3	23626LC
1-8	10000	23427LC	6.42	23527LC	8.11	2 1/4	2.31	1.40	1.03	5.14	27/8	4 15/32	230	7.3	23627LC
1 1/4-7	15000	23429LC	8.73	-	-	1 7/8	3.19	1.75	1.25	6.50	4 7/16	-	470	14.3	23629LC
1 1/4-8	15000	23429-08LC	8.73	-	-	1 7/8	3.19	1.75	1.25	6.50	4 7/16	-	470	14.3	23629-08LC
1 1/2-6	24000	23433LC	12.54	-	-	2 3/4	4.19	2.25	1.75	8.55	6 15/16	-	800	34.8	23633LC
1 1/2-8	24000	23433-08LC	12.54	-	-	2 3/4	4.19	2.25	1.75	8.55	6 15/16	-	800	34.8	23633-08LC
2-4 1/2	30000	23435LC	12.54	-	-	3 1/8	4.19	2.25	1.75	8.55	6 9/16	-	1100	38.0	23635LC
2-8	30000	23435-08LC	12.54	-	-	3 1/8	4.19	2.25	1.75	8.55	6 9/16	-	1100	38.0	23635-08LC

Metric

Thread Size A	Load Capacity (kg)	Standard U-Bar		Long U-Bar		Thread Length C	D	E	F	G	Std U-Bar H	Long U-Bar H	Torque (Nm)	Wt. (kg)	BOLT REPLACEMENT KIT
		Part #	B	Part #	B										
M12 x 1.75	1050	23462LC	123.0	23562LC	170.7	19	38.1	22.4	19	89.4	65	114	37	1.1	23622LC
M16 x 2.0	1700	23465LC	123.0	23565LC	170.7	29	38.1	22.4	19	89.4	62	111	80	1.1	23665LC
M20 x 2.5	2150	23468LC	123.0	23568LC	170.7	34	38.1	22.4	19	89.4	59	108	135	1.2	23668LC
M20 x 2.5	3000	23471LC	163.0	23571LC	203.0	32	58.7	35.6	26.1	130.6	79	119	135	3.1	23671LC
M24 x 3.0	4200	23474LC	163.0	23574LC	203.0	37	58.7	35.6	26.1	130.6	77	117	305	3.2	23674LC
M30 x 3.5	7000	23478LC	221.7	-	-	46	81.0	44.5	31.7	165.1	117	-	590	6.3	23678LC
M30 x 3.5	7000	23479LC	221.7	-	-	66	81.0	44.5	31.7	165.1	117	-	590	6.4	23679LC
M36 x 4.0	11000*	23483LC	318.5	-	-	68	106.4	57.2	44.4	217.2	179	-	980	15.5	23683LC
M42 x 4.5	12500	23484LC	318.5	-	-	68	106.4	57.2	44.4	217.2	176	-	980	16.0	23684LC
M48 x 5.0	13500	23485LC	318.5	-	-	88	106.4	57.2	44.4	217.2	172	-	980	16.8	23685LC

All dimensions are in millimeters.

* Rated load may be reduced at 90° from vertical.

LIFT-CHECK™ HOIST RINGS



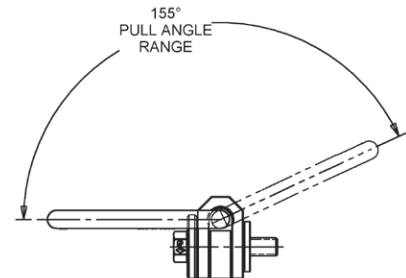
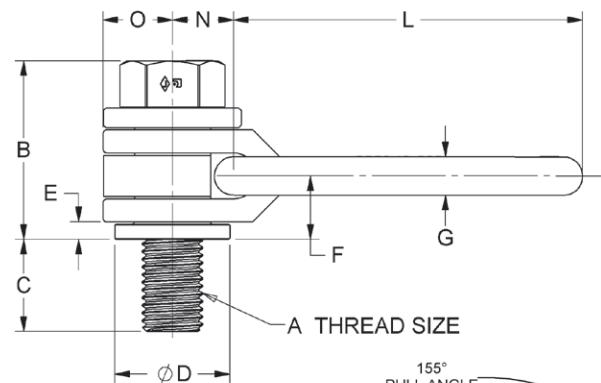
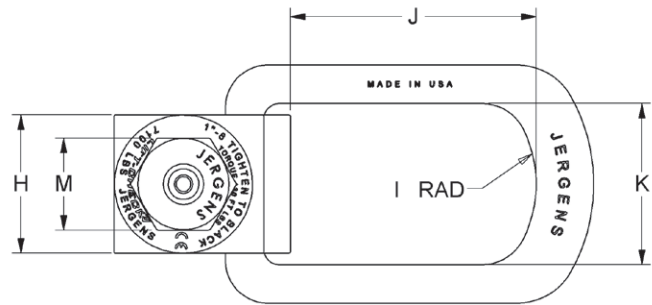
Lift Check™ SP2000™ Side-Pull Hoist Rings



RED INDICATES
LOOSE



BLACK INDICATES
TIGHT



The Jergens SP2000™, Patented Lift Check™, Side-Pull Style Hoist Ring is ideal for flipping fixtures, dies and molds. The hoist ring is low profile and has a unique bolt retention design. The oversized forged bale easily adapts to larger hoist hooks. Its relatively light weight makes it easier to handle. This hoist ring assures that your application is secure and ready to lift. The Lift-Check™ is comprised of a Jergens' patented proprietary hex head screw which integrates the Visual Tension Indicator which confirms engagement – clearly illustrates whether bolt joint is loose or tight.

- **Material:** Alloy Steel
- **Finish:** Black Oxide
- **Washer:** Zinc Plated with Yellow Chromate Coating (Inch), Clear/Blue Conversion Coating (Metric)
- **Bail, Bolt, U-Channel, Spacer and Bushing are Magnetic Particle Inspected**
- **Rated at 5:1 Strength Factor**
- **Made in U.S.A.**
- **3D Solid Models available in multiple formats from www.jergensinc.com**
- **Full 360° Swivel and 180° Pivot**
- **Conforms to ASME B30.26 and Mil-STD-209K**
- **Temperature variations may apply (-20°C to 75°C / -4°F to 168°F)**
- **No torque wrench or calibration required, thus reducing installation time**
- **The Lift-Check™ hoist ring visual tension indicator confirms engagement—clearly illustrates whether the bolted joint is loose or tight**
- **Hands-free inspection at a distance, prior to the lift**
- **Proof Tested to 200% of rated load capacity**
- **Available in inch and metric sizes**
- **U.S. Patent No. 10,950,174**





Lift Check™ SP2000™ Side-Pull Hoist Rings

Inch

Part Number	Load Capacity (lbs)	Thread Size A	B	C	D	E	F	G	H	I	J	K	L	M	N	O	Torque (ft.lbs)	Wt. (lbs)
47533LC	1,800	1/2-13	2 1/8	3/4	1 3/8	7/32	27/32	1/2	1 3/4	1 1/2	3 3/8	2	4 3/4	3/4	3/4	7/8	15	2
47534LC	2,500	5/8-11	2 3/16	15/16	1 3/8	7/32	27/32	1/2	1 3/4	1 1/2	3 3/8	2	4 3/4	15/16	3/4	7/8	25	2
47535LC	4,100	3/4-10	2 11/16	1 1/8	1 7/8	5/16	1 1/16	5/8	2 1/4	2	4	2 5/8	5 11/16	1 1/8	1	1 1/8	50	4.5
47536LC	7,100	1-8	2 7/8	1 1/2	1 7/8	5/16	1 1/16	5/8	2 1/4	2	4	2 5/8	5 11/16	1 1/2	1	1 1/8	130	5
47537LC	14,000	1 1/4-7	5 5/16	1 7/8	3 1/4	7/16	2 5/32	1 1/16	3 3/4	3	7 11/16	4 3/8	10 7/16	1 7/8	1 15/16	1 7/8	150	25.5
47538LC	17,200	1 1/2-6	5 3/8	2 1/4	3 1/4	7/16	2 5/32	1 1/16	3 3/4	3	7 11/16	4 3/8	10 7/16	2 1/4	1 15/16	1 7/8	250	26.5
47539LC	27,500	2-4 1/2	5 3/4	3 1/8	3 1/4	7/16	2 5/32	1 1/16	3 3/4	3	7 11/16	4 3/8	10 7/16	3	1 15/16	1 7/8	300	30

Metric

Part Number	Load Capacity (kg)	Thread Size A	B	C	D	E	F	G	H	I	J	K	L	M	N	O	Torque (Nm)	Wt. (kg)
47583LC	725	M12 x 1.75	52	18	35	6	22	13	44	38	86	51	120	18	19	22	20	1
47584LC	1,400	M16 x 2.0	54	24	35	6	22	13	44	38	86	51	120	24	19	22	40	1
47585LC	2,290	M20 x 2.5	67	30	48	8	27	16	57	51	102	67	145	30	25	29	70	2
47586LC	3,050	M24 x 3.0	70	36	48	8	27	16	57	51	102	67	145	36	25	29	140	2
47587LC	4,850	M30 x 3.5	130	45	83	11	55	27	95	76	196	111	265	46	49	48	350	11.5
47588LC	7,500	M36 x 4.0	133	54	83	11	55	27	95	76	196	111	265	55	49	48	550	12
47591LC	8,700	M42 x 4.5	137	65	83	11	55	27	95	76	196	111	265	65	49	48	800	12.5
47589LC	10,000	M48 x 5.0	143	70	83	11	55	27	95	76	196	111	265	75	49	48	1200	13

All dimensions are in millimeters.

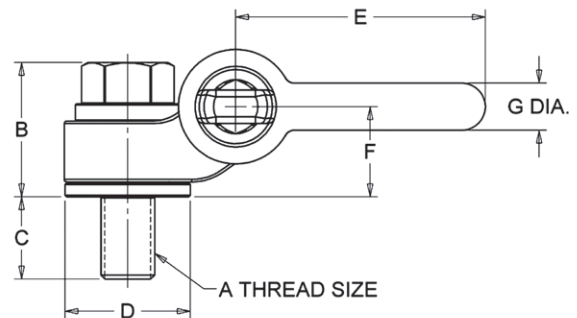
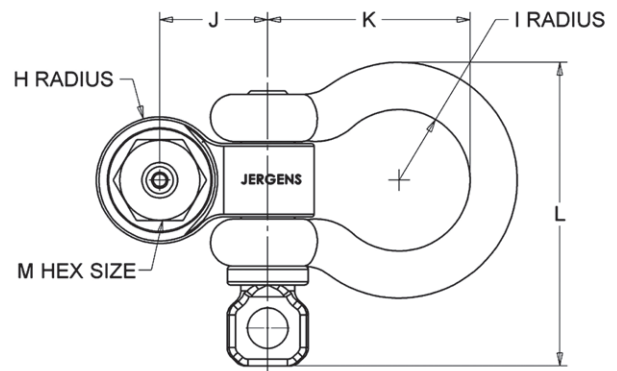
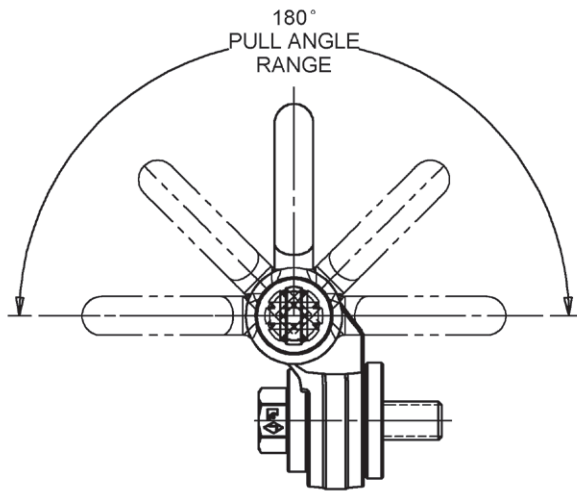


Lift-Check™ Die-Flipping Hoist Rings

Building on the popularity of our SP2000™ and combining the shackle feature of our Shackle-Lok™ style hoist ring, the Die-Flipping hoist ring is the latest solution for your flipping needs. With its offset neck, it will help to clear die shoes, external plumbing, etc, to allow the unit to rotate and pivot as needed. It will swivel 360° as it is free to swivel around the center bolt, allowing greater clearances in side lifting applications where lifting and rotating of the objects is needed. Also available in standard style. **The Lift-Check™ hoist ring visual tension indicator confirms engagement - clearly illustrating whether the bolted joint is loose or tight.**



- **Material:** Alloy Steel
- **Body Finish:** Black Oxide
- **Shackle Finish:** Zinc Plated with gold colored conversion coating
- **No torque wrench or calibration needed**
- **Hands-free inspection at a distance, prior to the lift**
- **360° Swivel, 180° Pivot**
- **Made in U.S.A.**
- **3D Solid Models available in multiple formats from www.jergensinc.com**
- **Rated at 5:1 strength factor**
- **Proof Tested 200%, Proof Test Certificate Provided**
- **Magnetic Particle Inspected**
- **-4°F (-20°C) to 168°F (75°C)**
- **Available in Inch and Metric sizes**
- **CE Certified**
- **Conforms to ASME B30.26 and MIL-STD-209**





Lift-Check™ Die-Flipping Hoist Rings

Inch

Part Number	Load Capacity (lbs)	Thread Size	B	C	D	E	F	G	H	I	J	K	L	Hex Size M	Torque (ft.lbs)	Weight (lbs)	Wt. (lbs)
47913LC	1650	1/2-13	1 5/8	3/4	1.50	2 3/4	1 5/32	1/2	57/64	3/4	1 23/64	2 1/4	2 31/32	3/4	28	1.6	2
47914LC	2500	5/8-11	1 23/32	1	1.50	2 3/4	1 5/32	1/2	57/64	3/4	1 23/64	2 1/4	2 31/32	15/16	60	1.7	2
47915LC	4100	3/4-10	2 17/64	1	2.32	4 5/8	1 43/64	7/8	1 9/32	1 5/16	2	3 3/4	5 5/8	1 1/8	100	6.7	4.5
47916LC	7100	1-8	2 1/2	1 1/2	2.32	4 5/8	1 43/64	7/8	1 9/32	1 5/16	2	3 3/4	5 5/8	1 1/2	230	7.2	5
47917LC	12000	1 1/4-7	3 5/64	1 7/8	3.19	5 5/16	2 3/16	1	1 47/64	1 3/8	2 49/64	4 5/16	6 1/8	1 7/8	470	13	25.5
47918LC	16700	1 1/2-6	3 3/16	2 3/8	3.19	5 5/16	2 3/16	1	1 47/64	1 3/8	2 49/64	4 5/16	6 1/8	2 1/4	800	14	26.5

Metric

Part Number	Load Capacity (kg)	Thread Size	B	C	D	E	F	G	H	I	J	K	L	Hex Size M	Torque (Nm)	Weight (kg)
47921L	650	M12 x 1.75	39.3	19	38	70	29.4	12.7	22.6	19	34.5	57	75	18	37	0.73
47922LC	1200	M16 x 2.0	41.8	29	38	70	29.4	12.7	22.6	19	34.5	57	75	24	80	0.77
47923LC	2100	M20 x 2.5	57	31	59	117.4	42.5	22.2	32.5	33.3	51	95	143	30	135	3.1
47924LC	2950	M24 x 3.0	59	36	59	117.4	42.5	22.2	32.5	33.3	51	95	143	36	305	3.17
47925LC	4850	M30 x 3.5	73	46	81	135	55.5	25.4	44	35	70	110	155	46	590	5.77
47926LC	6700	M36 x 4.0	77	56	81	135	55.5	25.4	44	35	70	110	155	55	960	6.17

All dimensions are in millimeters.

If requesting large quantities or high volume please contact customer service via info@jergensinc.com or (866) 594-5565. For a self-service alternative, try our Quick Quoteform!



Envirolox™ Protective Finish



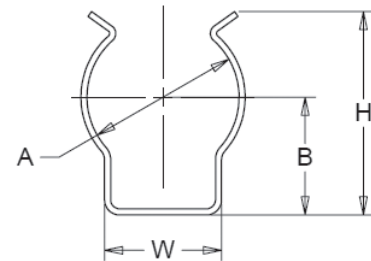
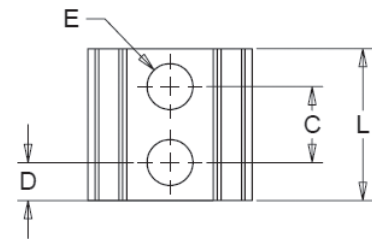
The Envirolox™ Protective Finish is a *proprietary nickel based coating that helps to prevent rusting and other environmental hazards from affecting Jergens Hoist Rings.* This coating does not contain cadmium or chromium, is *environmentally friendly*, and is proven to be *effective in extreme conditions.* It provides surface hardness, lubricity and more effective corrosion protection than paints. Envirolox™ Protective Finish is available on Jergens Center-Pull and Side-Pull Style Hoist Rings. It is not recommended for the Swivel Eyebolt or the SP 2000™ products.

- Available on Center-Pull and Side-Pull Traditional Style (See pages 6-7 and 15 for part numbers.)
- Available upon request for other selected Jergens lifting products.
- Added resistance to rusting.
- Environmentally safe.

Hoist Ring Hold Down Clips

Two or more Hoist Ring Hold Down Clips should be used to prevent ring movement when the hoist ring is not in use. These simple spring steel clips prevent ring movement, provide an additional safety feature when used around machine tools and give a neat finished appearance.

- Material: Spring, Steel
- Finish: Cadmium or Zinc



Clip Part Number	Diameter A	B	C	D	E	H	W	L
*47331	3/8	.330	–	.250	.125	.575	.320	.500
47332	1/2	.388	.250	.125	.151	.712	.385	.500
47333	5/8	.450	.250	.125	.151	.832	.385	.500
47334	3/4	.513	.312	.156	.151	1.000	.385	.625
47335	1	.683	.312	.188	.188	1.133	.510	.687
47336	1 1/4	.750	.625	.187	.162	1.370	1.330	1.000
47337	1 3/8	.880	.312	.188	.188	1.439	.510	.688
47338	1 7/16	.850	.937	.312	.103	1.560	1.560	1.500
47339	1 3/4	1.070	.312	.188	.130	1.830	.780	.688

* Part No. 47331 only has one bolt hole.



Bolt Replacement Kits

Traditional Center-Pull

Bolt Replacement Kits - Inch Threads

Black Oxide Hoist Rings			Envirolox™ Coated			
Standard U-Bar Part No.	Long U-Bar Part No.	Bolt Kit Part No.	Std. U-Bar Part No.	Long U-Bar Part No.	Bolt Kit Part No.	Kit Wt. (lbs)
23404	-	23604	23304	-	23604-E	
23405	-	23605	23305	-	23605-E	
23406	-	23606	23306	-	23606-E	.03
23408	-	23608	23308	-	23608-E	.05
23410	-	23610	23310	-	23610-E	.16
23411	23511	23611	23311	23511-E	23611-E	.14
23412	23512	23612	23312	23512-E	23612-E	.16
23413	23513	23613	23313	23513-E	23613-E	.17
23414	23514	23614	23314	23514-E	23614-E	.27
23415	23515	23615	23315	23515-E	23615-E	.29
23416	23516	23616	23316	23516-E	23616-E	
23417	23517	23617	23317	23517-E	23617-E	.40
23418	23518	23618	23318	23518-E	23618-E	.46
23420	23520	23620	23320	23520-E	23620-E	.46
23421	23521	23621	23321	23521-E	23621-E	.52
23423	23523	23623	23323	23523-E	23623-E	.62
23424	23524	23624	23324	23524-E	23624-E	.66
23425	23525	23625	23325	23525-E	23625-E	.92
23426	23526	23626	23326	23526-E	23626-E	.97
23427	23527	23627	23327	23527-E	23627-E	1.13
23429	-	23629	23329	-	23629-E	2.90
23429-08	-	23629-08	23329-08	-	23329-08E	2.90
23433	-	23633	23333	-	23633-E	3.50
23433-08	-	23633-08	23333-08	-	23333-08E	3.50
23435	-	23635	23335	-	23635-E	7.30
23435-08	-	23635-08	23335-08	-	23335-08E	7.30
23438	-	23638	23338	-	23638-E	15.66
23438-08	-	23638-08	23338-08	-	23338-08E	15.96

Bolt Replacement Kits - Metric Threads

Black Oxide Hoist Rings			Envirolox™ Coated			
Standard U-Bar Part No.	Long U-Bar Part No.	Bolt Kit Part No.	Std. U-Bar Part No.	Long U-Bar Part No.	Bolt Kit Part No.	Kit Wt. (kg)
23455	-	23655	-	-	23655-E	.02
23456	-	23656	23356	-	23656-E	.02
23458	-	23658	23358	-	23658-E	.03
23462	23562	23662	23362	23562-E	23662-E	.06
23465	23565	23665	23365	23565-E	23665-E	.12
23468	23568	23668	23368	23568-E	23668-E	.21
23471	23571	23671	23371	23571-E	23671-E	.23
23474	23574	23674	23374	23574-E	23674-E	.40
23478	-	23678	23378	-	23678-E	.79
23479	-	23679	23379	-	23679-E	.91
23483	-	23683	23383	-	23683-E	1.52
23484	-	23684	23384	-	23684-E	2.75
23485	-	23685	23385	-	23685-E	3.27
23488	-	23688	23388	-	23688-E	7.12

Bolt Kits contain bolt and retaining ring.

• See page 26 for Hoist Ring hold down clips.

Traditional Side-Pull

Inch Threads

Hoist Ring Part No.	Bolt Kit Part No.	Envirolox™ Bolt Kit Part No.	Thread Size	Wt. (lbs)
47311	47341	47341-E	5/16-18	0.05
47312	47342	47342-E	3/8-16	0.06
47313	47343	47343-E	1/2-13	0.17
47314	47344	47344-E	5/8-11	0.28
47315	47345	47345-E	3/4-10	0.59
47316	47346	47346-E	1-8	1.27
47317	47347	47347-E	1 1/4-7	2.5
47317-08	47347-08	-	1 1/4-8	2.5
47318	47348	47348-E	1 1/2-6	4.7
47318-08	47348-08	-	1 1/2-8	4.7
47319	47349	47349-E	2-4 1/2	9.5
47319-08	47349-08	-	2-8	9.5

Metric Threads

Hoist Ring Part No.	Bolt Kit Part No.	Envirolox™ Bolt Kit Part No.	Thread Size	Wt. (kg)
47351	47391	47391-E	M 8	0.02
47352	47392	47392-E	M 10	0.03
47353	47393	47393-E	M 12	0.07
47354	47394	47394-E	M 16	0.14
47355	47395	47395-E	M 20	0.32
47356	47396	47396-E	M 24	0.53
47357	47397	47397-E	M 30	1.03
47358	47398	47398-E	M 36	2

Bolt Kits contain bolt and retaining ring.

Bolt Kits with -E are for use with Envirolox™ Hoist Rings.

• See page 26 for Hoist Ring hold down clips.



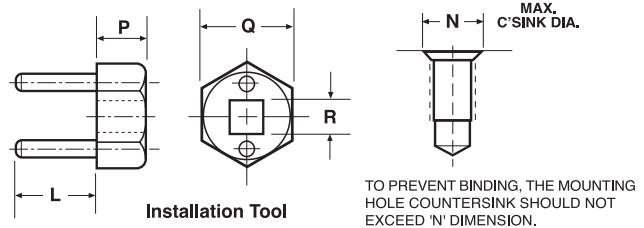


Swivel Eyebolt



The Jergens Swivel Eyebolt™ lifting product has a full swivel and pivoting action that allows for the flipping and turning of the part without unhooking. The patented tamper resistant design is ideal for permanent mounting on OEM applications or on molds, dies and fixtures.

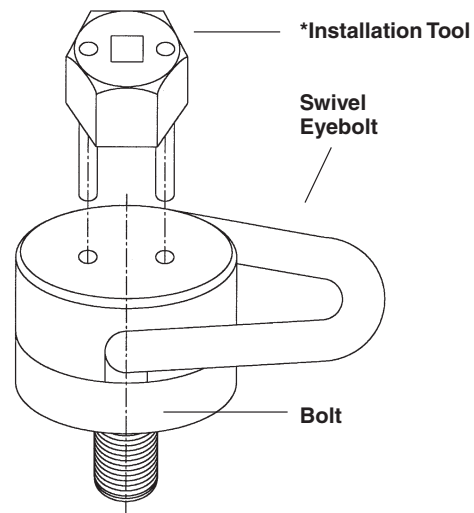
- **Tamper Resistant Design**
- **Swivels 360°, Pivots 180°**
- **Eliminates Bending (of Eyebolt) Problem**
- **Forged, Oversized, One-Piece Lift Ring**
- **Rated at 5:1 Strength Factor**
- **Load Capacities to 4,000 lbs/2,000 kg**
- **Economically Priced**
- **Material: Alloy Steel, or 316 Stainless Steel**
- **Finish: Black Oxide, or Passivated (SS)**
- **3D Solid Models available in multiple formats from www.jergensinc.com**
- **Made in USA**
- **Magnetic particle inspected – alloy steel only. Liquid penetrant inspection for Stainless Steel version**



Installation Tool Information

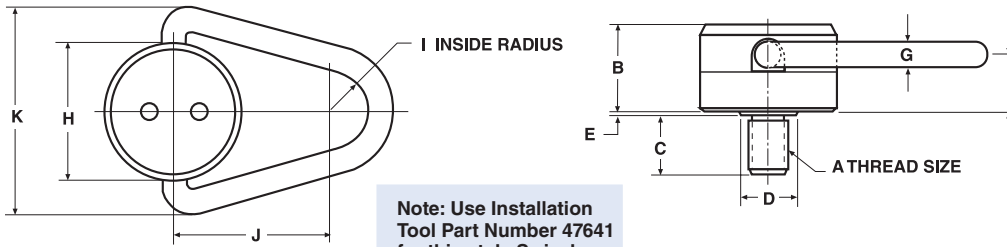
Installation Tool Part Number	Pin Length L	Head Thickness P	Hex Size Q	Square Drive R
47641	11/16	.55	15/16	1/4
47643	1 1/8	.65	1 1/4	3/8

Swivel Eyebolt Part No.	Installation Tool Part No.	Recommended Torque	Maximum Countersink Diameter N
47621	47641	7 ft. lbs	1/2
47622	47641	20 ft. lbs	5/8
47631	47641	7 ft. lbs	1/2
47632	47641	20 ft. lbs	5/8
47671	47641	10 Nm	13 mm
47672	47641	25 Nm	16 mm
47681	47641	10 Nm	13 mm
47682	47641	25 Nm	16 mm
47625	47643	35 ft. lbs	3/4
47626	47643	55 ft. lbs	7/8
47633	47643	35 ft. lbs	3/4
47634	47643	55 ft. lbs	7/8
47675	47643	50 Nm	19 mm
47676	47643	80 Nm	22 mm
47683	47643	50 Nm	19 mm
47684	47643	80 Nm	22 mm





Small Swivel Eyebolt



Note: Use Installation Tool Part Number 47641 for this style Swivel Eyebolt on page 28.

Swivel Eyebolt

Part Number		Load Capacity (lbs)		Thread Size A	B	C	D	E	F	G	H	I	J	K
Alloy Steel	Stainless Steel	Alloy Steel	Stainless Steel											
47621	47631	1000*	500	3/8 - 16	1 3/32	9/16	3/4	3/64	45/64	5/16	1 3/4	1/2	2	2 5/8
47622	47632	2000*	1000	1/2 - 13	1 3/32	3/4	3/4	3/64	45/64	5/16	1 3/4	1/2	2	2 5/8

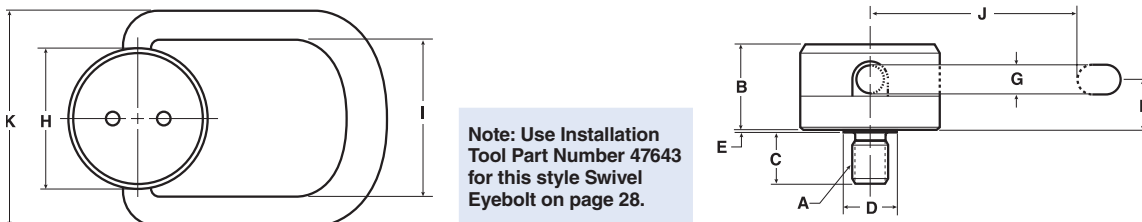
Metric Swivel Eyebolt

Part Number		Load Capacity (kg)		Thread Size A	B	C	D	E	F	G	H	I	J	K
Alloy Steel	Stainless Steel	Alloy Steel	Stainless Steel											
47671	47681	500*	250	M10 x 1.5	27.8	14.6	19.1	1.2	17.9	7.9	44.5	12.7	50.8	66.7
47672	47682	700	350	M12 x 1.75	27.8	19.1	19.1	1.2	17.9	7.9	44.5	12.7	50.8	66.7

All dimensions are in millimeters.

* Rated load may be reduced at 90° from vertical.

Large Swivel Eyebolt



Note: Use Installation Tool Part Number 47643 for this style Swivel Eyebolt on page 28.

Swivel Eyebolt

Part Number		Load Capacity (lbs)		Thread Size A	B	C	D	E	F	G	H	I	J	K
Alloy Steel	Stainless Steel	Alloy Steel	Stainless Steel											
47625	47633	3000	1500	5/8 - 11	1 33/64	15/16	7/8	1/32	57/64	1/2	2 1/2	2 3/4	3 1/2	3 13/16
47626	47634	4000	2000	3/4 - 10	1 33/64	1 1/8	1	1/32	57/64	1/2	2 1/2	2 3/4	3 1/2	3 13/16

Metric Swivel Eyebolt

Part Number		Load Capacity (kg)		Thread Size A	B	C	D	E	F	G	H	I	J	K
Alloy Steel	Stainless Steel	Alloy Steel	Stainless Steel											
47675	47683	1500	750	M16 x 2.0	38.5	23.8	22.2	.8	22.6	12.7	63.5	70	93	97
47676	47684	2000	1000	M20 x 2.5	38.5	30.2	25.4	.8	22.6	12.7	63.5	70	93	97

All dimensions are in millimeters.





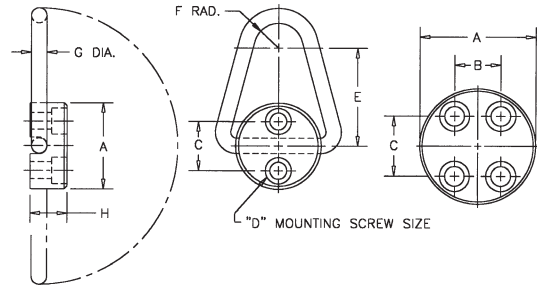
Pivoting Lift Ring



The Jergens Pivoting Lift Ring is a low profile lifting device that pivots 180°. It is one of the most economical lifting devices available and is ideal for applications that do not require a swivel action. This Lift Ring is easy to install and is available in five sizes. Load ratings range from 2,000 - 20,000 lbs. The product is manufactured from alloy steel, heat treated and magnafluxed.

- **Base:** Precision Machined Alloy Steel
- **Ring:** Alloy Steel forging, heat treated, magnafluxed and certified
- **Finish:** Black Oxide
- **Rated at 6:1 Strength Factor**
- **3D Solid Models** available in multiple formats from www.jergensinc.com
- **Made in USA**

• Stated load capacity with SHCS per ASTM A574/A574M



Pivoting Lift Rings

Part Number	Load Capacity (lbs)	A	B	C	Mounting Bolt Part No.	Mounting Bolt Quantity	Thread & Length D	E	F	G	H
47411	2000	1 3/4	–	1	47421	2	5/16-18 x 1 1/4	2	1/2	5/16	3/4
47412	2500	2 1/4	–	1 1/8	47422	2	3/8-16 x 1 1/2	2 1/2	5/8	3/8	7/8
47413	5000	2 1/2	–	1 1/2	47423	2	1/2-13 x 1 3/4	3	3/4	1/2	1 1/8
47414*	12000	3 1/8	1 1/4	1 5/8	47424	2	1/2-13 x 2 1/2	4	7/8	3/4	1 3/8
47415*	20000	3 5/8	1 1/4	2 1/16	47425	4	5/8-11 x 2 1/2	5	1	1	1 7/8

* Note: Mounting Bolts must be ordered separately.

Metric Pivoting Lift Rings

Part Number	Part Number with Pull Test & Metric Screws	Load Capacity (kg)	A	B	C	Mounting Bolt Part No.	Mounting Bolt Quantity	Thread & Length D	E	F	G	H
47411	47411-PTMS	900	45	–	25.4	47471	2	M 8 x 1.25 x 35 mm	51	13	8	19
47412	47412-PTMS	1100	57	–	28.6	47472	2	M 10 x 1.5 x 40 mm	64	16	10	22
47413	47413-PTMS	2250	64	–	38.1	47473	2	M 12 x 1.75 x 45 mm	76	19	13	29
47414*	47414-PTMS	5400	80	31.8	41.3	47474	2	M 12 x 1.75 x 55 mm	102	22	19	35
47415*	47415-PTMS	9000	92	31.8	52.4	47475	4	M 16 x 2.0 x 65 mm	127	25.4	25.4	48

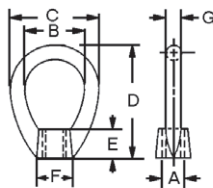
All dimensions are in millimeters.

* Note: Mounting Bolts must be ordered separately.

Eye Nuts

Inch

- **ASTM A 105**
- **Material: C-1030 Forge**
- **Use in Vertical Pull Only**



Part Number	A	B	C	D	E	F	G	Load Wt (lbs)	Capacity (lbs)
18901	3/8-16	1 1/4	2	2 1/2	5/8	7/8	3/8	.22	2700
18902	1/2-13	1 1/4	2	2 1/2	5/8	7/8	3/8	.22	2700
18903	5/8-11	1 1/2	2 1/2	3	3/4	1 3/8	1/2	.50	5000
18904	3/4-10	1 1/2	2 1/2	3	3/4	1 3/8	1/2	.50	5000
18905*		1 1/2	2 1/2	3	3/4	1 3/8	1/2	.50	5000

*Blank





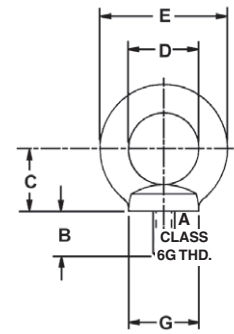
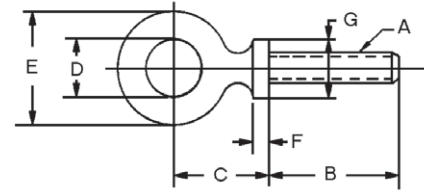
Shoulder Eye Bolts



- **Material & Mechanical Properties:**
C-1030 Forge per ASTM A489
- **Finish:** Mill
- **Thread:** 2A
- **ASME B 18.15**
- **Rated at 5:1 strength factor**
- **3D Solid Models available in multiple formats from www.jergensinc.com**
- **Made in USA**
- **Recommended for vertical loads ONLY**
- **Temperature range: 30°F to 275°F**

For other than vertical loads, general practice is to use 60% of the working load capacity for a load 30° from vertical; 33% of vertical load for load 45° from vertical; and 20% of vertical load for load 90° from vertical.

NOTE: 2 1/2 threads runout on threaded portion.



Inch

Part Number	A	B	C (Ref.)	D	E	F (Ref.)	G	Wt (lbs)	Load Capacity (lbs)
18501	1/4-20	1	11/16	3/4	1 3/16	3/16	1/2	.05	500
18502	5/16-18	1 1/8	7/8	7/8	1 7/16	3/16	5/8	.10	900
18503	3/8-16	1 1/4	1 1/16	1	1 21/32	3/16	11/16	.16	1300
18504	1/2-13	1 1/2	1 5/16	1 3/16	2 1/16	1/4	7/8	.36	2400
18505	5/8-11	1 3/4	1 19/32	1 3/8	2 1/2	1/4	1 1/8	.65	4000
18506	3/4-10	2	1 23/32	1 1/2	2 13/16	5/16	1 1/4	1.00	5000
18507	7/8-9	2 1/4	2 3/16	1 11/16	3 1/4	3/8	1 7/16	1.70	7000
18508	1-8	2 1/2	2 13/32	1 13/16	3 9/16	13/32	1 9/16	2.36	9000
18509	1 1/8-7	2 3/4	2 23/32	2	4	15/32	1 11/16	3.41	12000
18510	1 1/4-7	3	2 15/16	2 3/16	4 7/16	1/2	1 7/8	4.68	15000
18511	1 1/2-6	3 1/2	3 7/16	2 1/2	5 3/16	9/16	2 3/16	7.77	21000
18512	1 3/4-5	3 3/4	3 31/32	2 7/8	6 1/16	5/8	2 1/2	11.35	28000
18513	2-4 1/2	4	4 1/2	3 1/4	6 7/8	3/4	2 7/8	16.70	38000

Metric - Short

Loads given ensure a strength factor of four against deformation of any kind and strength factor of five against fracture.

- **Material:** C-15 Annealed (AISI 1015)
- **Finish:** Mill
- **Thread:** 6g

Part Number	A	B	C (Ref.)	D	E	G	Wt (kg)
18551	M6 x 1	13.0	17.5	19.1	36.5	20.0	.023
18552	M8 x 1.25	13.0	22.2	22.2	36.5	20.0	.045
18554	M12 x 1.75	20.5	33.3	30.2	52.4	30.0	.163
18555	M16 x 2	27.0	40.5	34.9	63.5	35.0	.295

Maximum permissible loads in lbs	
For one bolt firmly tightened	For two bolts total
150	100
300	200
700	500
1500	1100

Metric - Standard

Part Number	A	B	C (Ref.)	D	E	F (Ref.)	G	Wt (lbs)	Load Capacity (kg)	Load Capacity (lbs)
18561	M6 x 1.0	25.4	20.6	19	30.0	3.9	13.5	.06	210	462
18562	M8 x 1.25	31.7	29.4	25	43.0	4.8	17.5	.17	500	1110
18563	M10 x 1.5	35.0	33.3	27	46.0	5.2	19.8	.24	740	1628
18564	M12 x 1.75	38.0	36.5	30	54.0	5.6	22.2	.36	1030	2266
18565	M16 x 2.0	44.5	43.6	35	65.0	6.3	27.0	.69	1600	3520
18566	M20 x 2.5	57.0	55.6	41	81.0	9.5	36.5	1.51	2860	6292
18567	M24 x 3.0	63.5	61.1	44	90.4	10.3	39.7	2.36	3850	8470
18568	M30 x 3.5	76.0	74.6	55	112.7	12.7	47.6	4.68	6400	14080
18569	M36 x 4.0	89.0	87.3	63	131.8	14.3	55.6	7.77	8970	19734
18570	M42 x 4.5	95.0	93.6	73	152.4	15.1	60.3	11.10	11960	26312
18571	M48 x 5.0	101.6	107.9	82	174.6	17.5	69.8	15.90	16400	36080

- **Material:** C-1030 Forge
- **Finish:** Mill
- **Thread:** 6g



MADE IN THE
USA

All dimensions are in millimeters.



Quality Standards Center-Pull and Side-Pull Style Hoist Rings


Load Bearing Member Components

- All material is domestically manufactured certified alloy steel.
- All components are machined prior to manufacture to remove any surface defects.
- All components are heat treated and certified to manufacturing specifications.
- Bolts are:

Inch	Thread Class	Metric	Metric Thread Class
Socket Screw per ASTM A574	Up to 1" 3A	Class 12.9	Class 6g
Tensile Strength	Over 1" 2A	Tensile Strength	
-180,000 psi - 1/2" or Smaller		-1220 MPa	
-170,000 psi - Over 1/2"		- (177,000 psi)	
100% Magnetic Particle		100% Magnetic Particle	
Inspected to ASTM E709-15		Inspected to ASTM E709-15	
& ASTM A574		& ASTM A574M	

- All other load bearing components are magnetic particle inspected based upon ASTM E709-15 and MIL-STD-1916 with zero defects permissible.
- Bolt torque and hoist ring load limit permanently marked on hoist ring.
- AS 9100 Rev D / ISO 9001:2015 Certified.

Individual certificate of proof-test accompanies Center-Pull and Side-Pull Style hoist rings in final packaging.



CERTIFICATE OF PROOF TEST


(1) Distinguishing Mark	(2) Description of Item Tested	(3) Quantity Tested	(4) Date Tested	(5) Load Applied	(6) Rated Load

(7) Name and Address of Supplier:	Jergens Inc., 15700 Waterloo Rd., Cleveland, OH 44110
(8) Name and Address of Company performing test:	Jergens Inc., 15700 Waterloo Rd., Cleveland, OH 44110
(9) Position of Signatory in Company:	Quality Assurance Supervisor

We hereby certify that Jergens Inc. test procedure requires all hoist rings to be proof tested and examined; and that this form is evidence that the test operator completed all procedures as required.

Jergens Inc. certifies that all hoist rings have been proof tested and examined in accordance with Jergens QSWI 3.10 and that this test completes all procedures as required.



(Signature) 



In substantial agreement with (OSHA) 29 CFR 1918, ANSI/ASME B30.26, MIL-STD-1365C, MIL-STD-209K



Quality Standards For Center-Pull and Side-Pull Style Hoist Rings

Assembly Data

- Center Pull and Side Pull hoist ring assemblies are pull-tested and certified to 200% of rated load capacity and stamped with identifying date code.
- All hoist rings are designed for 5:1 strength factor.
- Hoist rings with washers are color coded for easy identification: gold washer denotes inch sizes, silver/clear blue washer denotes metric sizes.
- Finished assembly is black oxide (with the exception of the washer).
- The Jergens name or logo is prominently displayed on assembly for identification of original manufacturer.
- Special plating or marking is available upon customer's request.
- Proper warning label is affixed to each clevis.
- Proof load testing, magnafluxing and heat treating are on file at Jergens, Inc.
- Material Certs available for nominal cost and must be requested with initial order.
- The finished hoist ring product is individually boxed.

NOTE: Specifications for side pull style hoist rings are identical to center pull style with the exception that the clevis is of precision cast alloy material which is serialized and conforms to X-ray specifications.

Contact Jergens for quality standards on all other lifting products.

Multi-lingual safety data instructions included in each package

IMPORTANT
GIVE TO SAFETY MANAGER

IMPORTANT
À FOURNIR AU
DIRECTEUR DE SÉCURITÉ

IMPORTANTE
ENTREGAR AL
SUPERVISOR DE SEGURDAD

IMPORTANTE
CONSEGNARE AL
RESPONSABILE PER LA
SICUREZZA

IMPORTANTE
DÊ PARA O GERENTE
DE SEGURANÇA

WICHTIG
AN DEN
SICHERHEITSMANAGER
WEITERGEBEN

重要
安全管理担当者様

Jergens Way • 15700 S. Waterloo Rd.
Cleveland, Ohio 44110-3898
Phone: (216) 486-5540 • Fax: (216) 481-6193

Printed in the U.S.A.
© Copyright 2011



18501.....	31	23333.....	7, 27	23488.....	7, 27	23683.....	27
18502.....	31	23335.....	7, 27	23511.....	7, 27	23684.....	27
18503.....	31	23338.....	7, 27	23512.....	7, 27	23685.....	27
18504.....	31	23355.....	7	23513.....	7, 27	23688.....	27
18505.....	31	23356.....	7, 27	23514.....	7, 27	23906.....	13
18506.....	31	23358.....	7, 27	23515.....	7, 27	23907.....	13
18507.....	31	23362.....	7, 27	23516.....	7, 27	23908.....	13
18508.....	31	23365.....	7, 27	23517.....	7, 27	23909.....	13
18509.....	31	23368.....	7, 27	23518.....	7, 27	23910.....	13
18510.....	31	23371.....	7, 27	23520.....	7, 27	23911.....	13
18511.....	31	23374.....	7, 27	23521.....	7, 27	23914.....	13
18512.....	31	23378.....	7, 27	23523.....	7, 27	23915.....	13
18513.....	31	23379.....	7, 27	23524.....	7, 27	23917.....	13
18551.....	31	23383.....	7, 27	23525.....	7, 27	23918.....	13
18552.....	31	23384.....	7, 27	23526.....	7, 27	23926.....	13
18554.....	31	23385.....	7, 27	23527.....	7, 27	23927.....	13
18555.....	31	23388.....	7, 27	23562.....	7, 27	23929.....	13
18561.....	31	23404.....	7, 27	23565.....	7, 27	23930.....	13
18562.....	31	23405.....	27	23568.....	7, 27	23933.....	13
18563.....	31	23406.....	7, 27	23571.....	7, 27	23934.....	13
18564.....	31	23408.....	7, 27	23574.....	7, 27	23935.....	13
18565.....	31	23410.....	7, 27	23604.....	27	23936.....	13
18566.....	31	23411.....	7, 27	23605.....	27	23956.....	13
18567.....	31	23412.....	7, 27	23606.....	27	23958.....	13
18568.....	31	23413.....	7, 27	23608.....	27	23962.....	13
18569.....	31	23414.....	7, 27	23610.....	27	23965.....	13
18570.....	31	23415.....	7, 27	23611.....	27	23968.....	13
18571.....	31	23416.....	7, 27	23612.....	27	23974.....	13
18901.....	30	23417.....	7, 27	23613.....	27	23975.....	13
18902.....	30	23418.....	7, 27	23614.....	27	23978.....	13
18903.....	30	23420.....	7, 27	23615.....	27	23979.....	13
18904.....	30	23421.....	7, 27	23616.....	27	23982.....	13
18905.....	30	23423.....	7, 27	23617.....	27	23983.....	13
23304.....	7, 27	23424.....	7, 27	23618.....	27	23984.....	13
23305.....	27	23425.....	7, 27	23620.....	27	23985.....	13
23306.....	7, 27	23426.....	7, 27	23621.....	27	23986.....	13
23308.....	7, 27	23427.....	7, 27	23623.....	27	23987.....	13
23310.....	7, 27	23429.....	7, 27	23624.....	27	24400.....	11
23311.....	7, 27	23433.....	7, 27	23625.....	27	24401.....	11
23312.....	7, 27	23435.....	7, 27	23626.....	27	24402.....	11
23313.....	7, 27	23438.....	7, 27	23627.....	27	24403.....	11
23314.....	7, 27	23455.....	7, 27	23629.....	27	24405.....	11
23315.....	7, 27	23456.....	7, 27	23633.....	27	24406.....	11
23316.....	7, 27	23458.....	7, 27	23635.....	27	24408.....	11
23317.....	7, 27	23462.....	7, 27	23638.....	27	24409.....	11
23318.....	7, 27	23465.....	7, 27	23656.....	27	24410.....	11
23320.....	7, 27	23468.....	7, 27	23658.....	27	24411.....	11
23321.....	7, 27	23471.....	7, 27	23662.....	27	24412.....	11
23323.....	7, 27	23474.....	7, 27	23665.....	27	24413.....	11
23324.....	7, 27	23478.....	7, 27	23668.....	27	24414.....	11
23325.....	7, 27	23479.....	7, 27	23671.....	27	24415.....	11
23326.....	7, 27	23483.....	7, 27	23674.....	27	24416.....	11
23327.....	7, 27	23484.....	7, 27	23678.....	27	24417.....	11
23329.....	7, 27	23485.....	7, 27	23679.....	27	24418.....	11



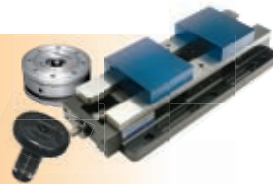
24419.....	11	47393.....	15, 27	47802.....	19	23435-08LC	21
24420.....	11	47394.....	15, 27	47803.....	19	23435LC	21
24421.....	11	47395.....	15, 27	47804.....	19	23438-08	7, 27
24424.....	11	47396.....	15, 27	47850.....	19	23462LC	21
24426.....	11	47397.....	15, 27	47851.....	19	23462-SS	9
24427.....	11	47398.....	15, 27	47852.....	19	23465LC	21
24450.....	11	47411.....	30	47853.....	19	23465-SS	9
24451.....	11	47412.....	30	47854.....	19	23468LC	21
24452.....	11	47413.....	30	47913.....	18	23468-SS	9
24453.....	11	47414.....	30	47914.....	18	23471LC	21
24455.....	11	47415.....	30	47915.....	18	23474LC	21
24456.....	11	47471.....	30	47916.....	18	23478LC	21
24457.....	11	47472.....	30	47917.....	18	23479LC	21
24458.....	11	47473.....	30	47918.....	18	23483LC	21
24459.....	11	47474.....	30	47921.....	18	23484LC	21
24460.....	11	47475.....	30	47922.....	18	23485LC	21
24463.....	11	47531.....	17	47923.....	18	23511-E	7, 27
24465.....	11	47532.....	17	47924.....	18	23511LC	21
24466.....	11	47533.....	17	47925.....	18	23512-E	7, 27
24468.....	11	47534.....	17	47926.....	18	23512LC	21
47311.....	15, 27	47535.....	17	23329-08	7, 27	23513-E	7, 27
47312.....	15, 27	47536.....	17	23329-08E	27	23513LC	21
47313.....	15, 27	47537.....	17	23333-08	7, 27	23514-E	7, 27
47314.....	15, 27	47538.....	17	23333-08E	27	23514LC	21
47315.....	15, 27	47539.....	17	23335-08	7, 27	23515-E	7, 27
47316.....	15, 27	47581.....	17	23335-08E	27	23515LC	21
47317.....	15, 27	47582.....	17	23338-08	7, 27	23516-E	7, 27
47319.....	15, 27	47583.....	17	23338-08E	27	23516LC	21
47332.....	26	47584.....	17	23410LC	21	23517-E	7, 27
47334.....	26	47585.....	17	23411LC	21	23517LC	21
47335.....	26	47586.....	17	23411-SS	9	23518-E	7, 27
47336.....	26	47587.....	17	23412LC	21	23518LC	21
47337.....	26	47588.....	17	23413LC	21	23520-E	7, 27
47338.....	26	47589.....	17	23414LC	21	23520LC	21
47339.....	26	47591.....	17	23414-SS	9	23521-E	7, 27
47341.....	15, 27	47621.....	28, 29	23415LC	21	23521LC	21
47342.....	15, 27	47622.....	28, 29	23416LC	21	23523-E	7, 27
47343.....	15, 27	47625.....	28, 29	23417LC	21	23523LC	21
47344.....	15, 27	47626.....	28, 29	23417-SS	9	23524-E	7, 27
47345.....	15, 27	47631.....	28, 29	23418LC	21	23524LC	21
47346.....	15, 27	47632.....	28, 29	23420LC	21	23525-E	7, 27
47347.....	15, 27	47633.....	28, 29	23421LC	21	23525LC	21
47348.....	15, 27	47634.....	28, 29	23423LC	21	23526-E	7, 27
47349.....	15, 27	47641.....	28	23424LC	21	23526LC	21
47351.....	15, 27	47643.....	28	23425LC	21	23527-E	7, 27
47352.....	15, 27	47671.....	28, 29	23426LC	21	23527LC	21
47353.....	15, 27	47672.....	28, 29	23427LC	21	23562-E	7, 27
47354.....	15, 27	47675.....	28, 29	23429-08	7, 27	23562LC	21
47355.....	15, 27	47676.....	28, 29	23429-08LC	21	23565-E	7, 27
47356.....	15, 27	47681.....	28, 29	23429LC	21	23565LC	21
47357.....	15, 27	47682.....	28, 29	23433-08	7, 27	23568-E	7, 27
47358.....	15, 27	47683.....	28, 29	23433-08LC	21	23568LC	21
47391.....	15, 27	47684.....	28, 29	23433LC	21	23571-E	7, 27
47392.....	15, 27	47801.....	19	23435-08	7, 27	23571LC	21



23574-E 7, 27	23638-08 27	24413NS 11	47355-E 15
23574LC 21	23638-E 27	24414NS 11	47356-E 15
23604-E 27	23655-E 27	24415NS 11	47357-E 15
23605-E 27	23656-E 27	24416NS 11	47358-E 15
23606-E 27	23658-E 27	24417NS 11	47391-E 15, 27
23608-E 27	23662-E 27	24418NS 11	47392-E 15, 27
23610-E 27	23662-SS 9	24419NS 11	47393-E 15, 27
23610LC 21	23665-E 27	24420NS 11	47394-E 15, 27
23611-E 27	23665LC 21	24421NS 11	47395-E 15, 27
23611LC 21	23665-SS 9	24424NS 11	47396-E 15, 27
23611-SS 9	23668-E 27	24426NS 11	47397-E 15, 27
23612-E 27	23668LC 21	24427NS 11	47398-E 15, 27
23612LC 21	23668-SS 9	24450NS 11	47411-PTMS 30
23613-E 27	23671-E 27	24451NS 11	47412-PTMS 30
23613LC 21	23671LC 21	24452NS 11	47413-PTMS 30
23614-E 27	23674-E 27	24453NS 11	47414-PTMS 30
23614LC 21	23674LC 21	24455NS 11	47415-PTMS 30
23614-SS 9	23678-E 27	24456NS 11	47533LC 23
23615-E 27	23678LC 21	24457NS 11	47534LC 23
23615LC 21	23679-E 27	24458NS 11	47535LC 23
23616-E 27	23679LC 21	24459NS 11	47536LC 23
23616LC 21	23683-E 27	24460NS 11	47537LC 23
23617-E 27	23683LC 21	24463NS 11	47538LC 23
23617LC 21	23684-E 27	24465NS 11	47539LC 23
23617-SS 9	23684LC 21	24466NS 11	47583LC 23
23618-E 27	23685-E 27	24468NS 11	47584LC 23
23618LC 21	23685LC 21	47311-E 15	47585LC 23
23620-E 27	23688-E 27	47312-E 15	47586LC 23
23620LC 21	23906-SS 14	47313-E 15	47587LC 23
23621-E 27	23907-SS 14	47314-E 15	47588LC 23
23621LC 21	23908-SS 14	47315-E 15	47589LC 23
23622LC 21	23909-SS 14	47316-E 15	47591LC 23
23623-E 27	23910-SS 14	47317-08 15, 27	47913LC 25
23623LC 21	23911-SS 14	47317-E 15	47914LC 25
23624-E 27	23914-SS 14	47318-08 15, 27	47915LC 25
23624LC 21	23915-SS 14	47318-E 15	47916LC 25
23625-E 27	23917-SS 14	47319-08 15, 27	47917LC 25
23625LC 21	23918-SS 14	47319-E 15	47918LC 25
23626-E 27	23956-SS 14	47341-E 15, 27	47921L 25
23626LC 21	23958-SS 14	47342-E 15, 27	47922LC 25
23627-E 27	23962-SS 14	47343-E 15, 27	47923LC 25
23627LC 21	23965-SS 14	47344-E 15, 27	47924LC 25
23629-08 27	23968-SS 14	47345-E 15, 27	47925LC 25
23629-08LC 21	24400NS 11	47346-E 15, 27	47926LC 25
23629-E 27	24401NS 11	47347-08 27	
23629LC 21	24402NS 11	47347-E 15, 27	
23633-08 27	24403NS 11	47348-08 27	
23633-08LC 21	24405NS 11	47348-E 15, 27	
23633-E 27	24406NS 11	47349-08 27	
23633LC 21	24408NS 11	47349-E 15, 27	
23635-08 27	24409NS 11	47351-E 15	
23635-08LC 21	24410NS 11	47352-E 15	
23635-E 27	24411NS 11	47353-E 15	
23635LC 21	24412NS 11	47354-E 15	

We Are Jergens

WORKHOLDING SOLUTIONS



SUPPORT, LOCATE AND HOLD:

From standard components to vises and quick change fixture systems like Ball Lock®, ZPS and Fixture-Pro® Multi-Axis.

SPECIALTY FASTENERS



FASTEN, STRENGTHEN AND SECURE:

From threaded inserts and toggle clamps to Kwik-Lok® Pins.

LIFTING SOLUTIONS



LIFT, TURN AND TRACK:

From chain sling and eye bolts to hoist rings and our proprietary Lift-Check™ hoist rings.

We got our start back in 1942, manufacturing tooling components to help American manufacturers operate quickly and more efficiently. “The Standard Components with the Highest Standards:” This founding philosophy put Jergens on the forefront of the “lean manufacturing” movement before anyone even thought to put those two words together.

In the years since, Jergens has structured its offering to advance the cause of leaner manufacturing, adding products and engineered solutions for an integrated approach to “Manufacturing Efficiency.”

You can find Jergens products just about anywhere in the manufacturing environment.

Jergens®

Jergens®

WORLD HEADQUARTERS

15700 S. WATERLOO ROAD
CLEVELAND, OH 44110-3898

 577.440.LIFT (5348)

 JERGENSINC.COM

 LIFTING@JERGENSINC.COM



WORKHOLDING SOLUTIONS



SPECIALTY FASTENERS



LIFTING SOLUTIONS

©2024 JERGENS, INC | JERG0224