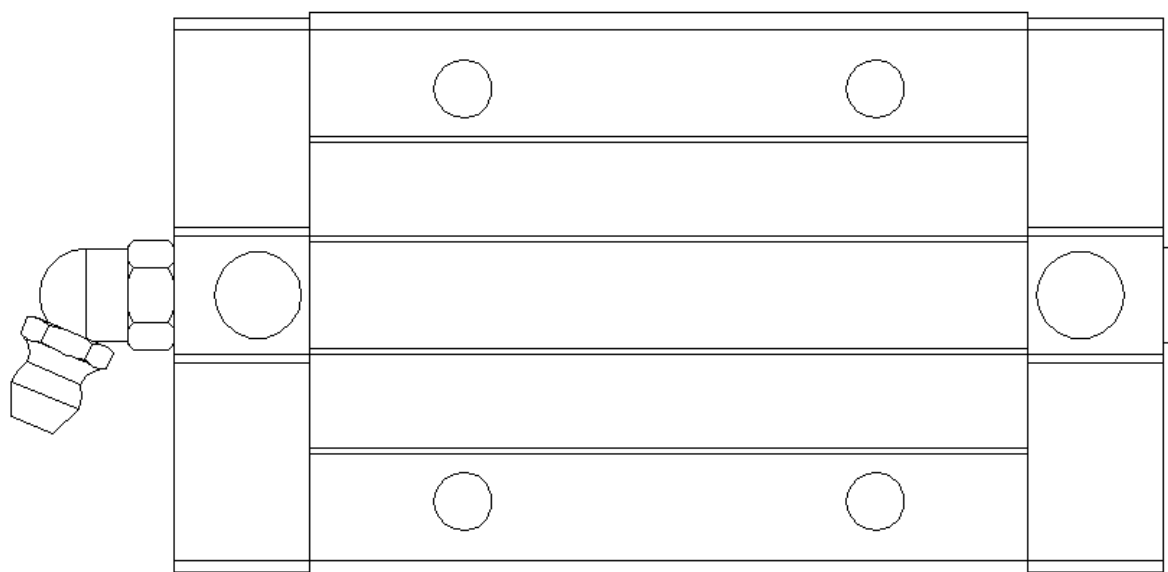


Dimensional drawing

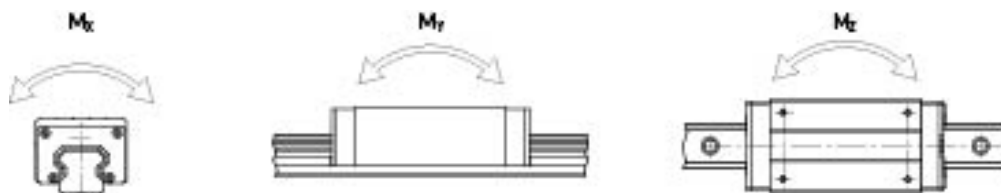


Configuration attributes:

CGH25CAZ0C

Series	CG	
Block type	H	high square block
Size	25	
Load type	C	heavy load
Block mounting	A	from above
Block preload	Z0	light preload
Precision code	C	
Rails per axis	1	
Sealing system	SS	
Self lube type	N	Without oil lubrication unit
Cover strip	N	Without cover strip

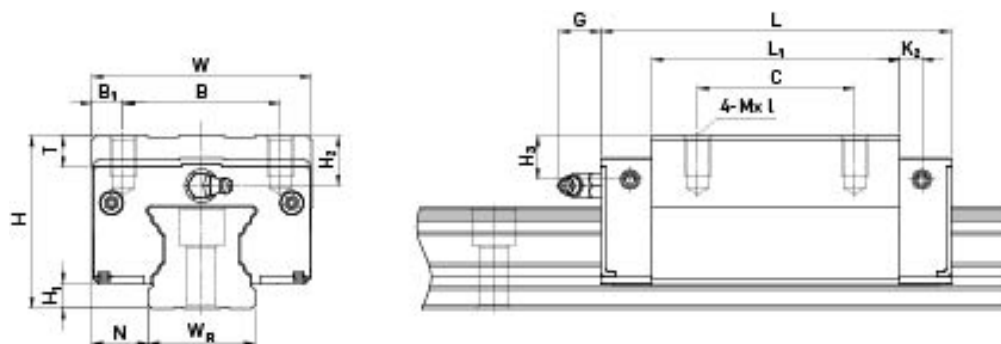
Load rates and moments



Series/ Size	Dynamic load rate C_{dyn} [N] ¹⁾	Static load rate C_0 [N]	Dynamic moment [Nm]			Static moment [Nm]		
			M_x	M_y	M_z	M_{0x}	M_{0y}	M_{0z}
CG_25C	34960	43940	477	390	390	600	490	490

¹⁾ Dynamic load rate for 50,000 m travel distance

Block measurements [mm]



Series/ Size	Mounting dimensions [mm]			Load rates [N]		Weight [kg] m
	H	H ₁	N	C_{dyn}	C_0	
CGH25CA	40	6.1	12.5	34960	43940	0.46

Series/ Size	Block measurements [mm]																		
	W	B	B ₁	C	C ₁	L ₁	L	K ₁	K ₂	M	G	G _n	T	T ₁	T ₂	H ₂	H ₃	L _K	L _{K1}
CGH25CA	48	35	6.5	35	-	61	84	-	5	M6	12	-	8	-	-	10	9.5	-	-

Specifications for your order:

CGH25CAZ0C

Block

preserved

CGH25CAZ0C (1 pcs.)

Grease nipple 67.5° (Pos. lose)

Note:

You can find information on lubrication and assembly in our assembly instructions

<https://www.hiwin.de/hiwin/de/EUR/service/downloads>