



### Shaded Pole Motor

90 psi max. pressure,  
25 inHg max. vacuum  
0.38 CFM open flow

### PSC Motor

100 psi max. pressure  
26 inHg max. vacuum  
0.83 CFM open flow

### DC Motor

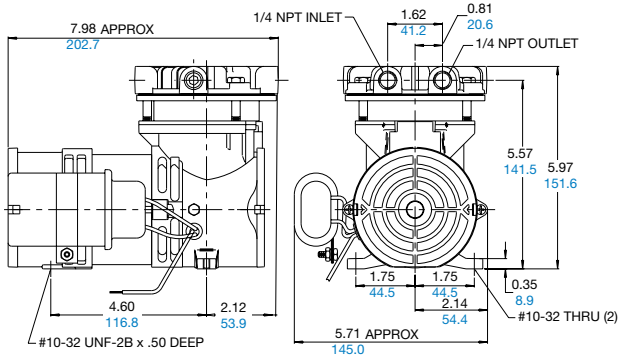
100 psi max. pressure,  
27 inHg max. vacuum  
0.62 CFM open flow

### Recommended Accessories

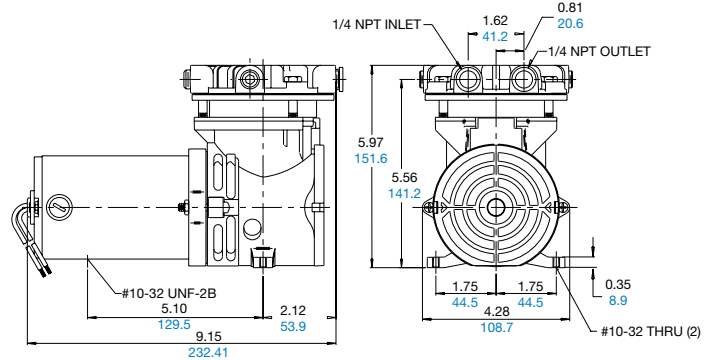
Muffler/filters AH190  
Pressure gauge AF583  
Vacuum gauge AA640  
Pressure relief valve AF592S  
Vacuum relief valve AA207  
(3) Rubber feet AF584A  
Repair kit K476

### Product Dimensions (inches, mm)

#### AC MODELS (capacitor shipped unattached)



#### DC MODELS



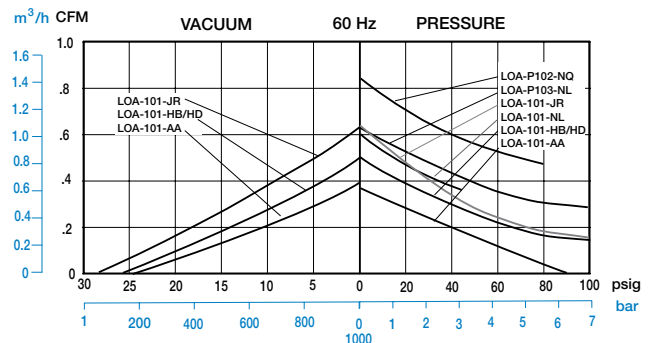
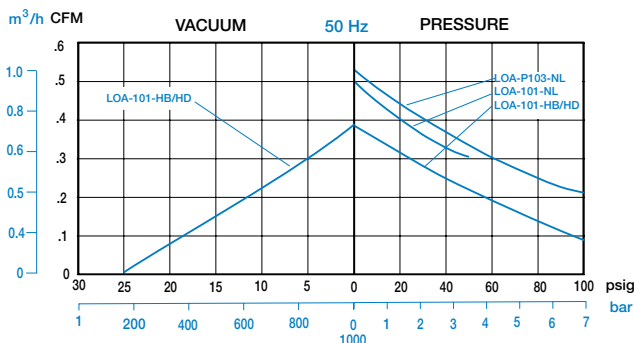
### Product Specifications

Model Number	Motor	Motor Type	RPM		HP	KW	Net Weight	
			60 Hz	50 Hz			lb	kg
LOA-101-AA	115-60-1	Shaded pole	1575		1/16	0.05	6.6	3.0
LOA-101-HB	115/110-60/50-1	PSC	1575		1/16	0.05	8.6	3.9
LOA-101-HD	230/220-60/50-1	PSC	1575	1275	1/16	0.05	8.6	3.9
LOA-101-NL	100-50/60-1	PSC	1575	1275	1/8	0.09	7.6	3.5
LOA-P103-NL	100-50/60-1	PSC	1575	1275	1/6	0.12	7.6	3.5
LOA-P102-NQ	115-60-1	PSC	1575	1275	1/6	0.12	7.6	3.9
LOA-101-JR	11-15V DC		2000		1/10	0.07	6.6	3.0

- Oilless operation
- Motor mounted
- Rugged construction / low maintenance
- Low noise levels
- Capacitor AG331 (HB, HD motors) AF485A NL motor) AH364 (NQ motor) included

"P" models are pressure only

### Product Performance





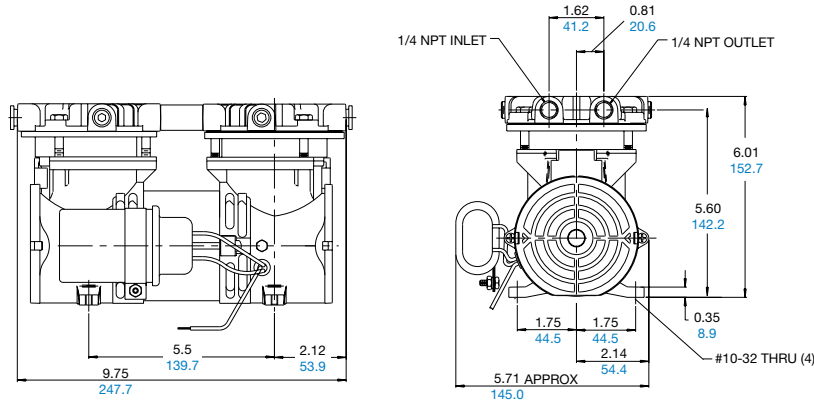
### PSC Motor

60 psi max. pressure  
29 inHg max. vacuum  
1.5 CFM open flow

### Recommended Accessories

- Muffler/filters AH190
- Pressure gauge AF583
- Vacuum gauge AA640
- Pressure relief valve AF592S
- Vacuum relief valve AA207A
- (4) Rubber feet AF584A
- Repair kits
  - K773 (LAA-101-NQ, LAA-V103-NQ)
  - K767 (LAA-V104-NQ)

### Product Dimensions (inches, mm)



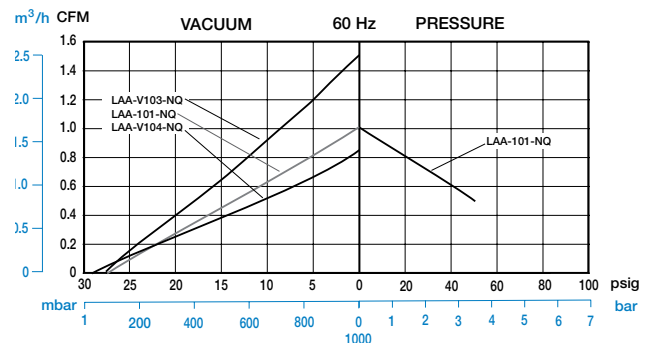
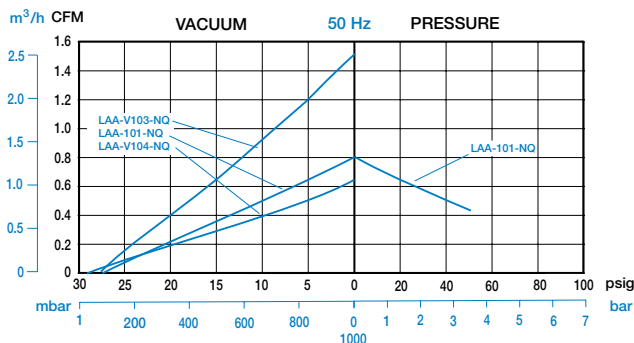
### Product Specifications

Model Number	Motor	Motor Type	Staged/Parallel	RPM		HP	KW	Net Weight	
				60 Hz	50 Hz			lb	kg
LAA-101-NQ	100-60/50-1;115-60-1	PSC	Parallel	1575	1275	1/6	0.12	11.3	5.1
LAA-V103-NQ	100-60/50-1;115-60-1	PSC	Parallel	1575	1275	1/6	0.12	11.3	5.1
LAA-V104-NQ	100-60/50-1;115-60-1	PSC	Staged	1575	1275	1/6	0.12	11.3	5.1

- Oilless operation
- Motor mounted
- Rugged construction / low maintenance
- Low noise levels
- Capacitor AH364 included

"V" models are vacuum only

### Product Performance





Standard units ship with grilles covering fans

**PSC 4 Pole Motor**  
30 psi max. pressure,  
29.5 inHg max. vacuum  
3.0 CFM open flow

### Recommended Accessories

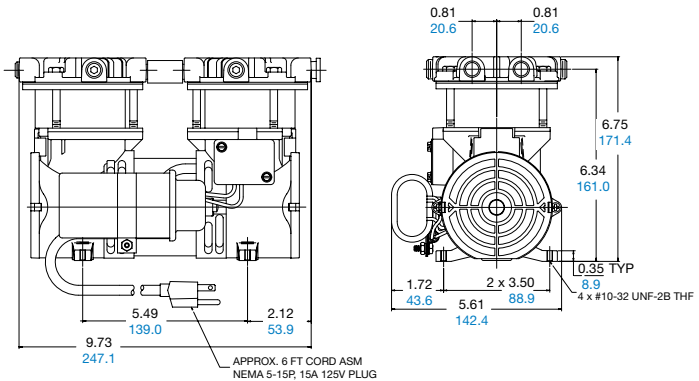
- Mufflers/filters AH190
- Pressure gauge AF583
- Vacuum gauge AA640
- Pressure relief valve AA205
- Vacuum relief valve AA207
- (4) Rubber feet AF584A

### Repair kit(s):

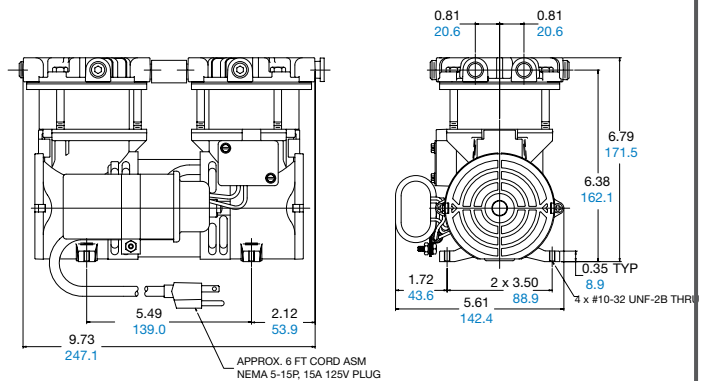
- SAA-P107-NQ, SAA-V108-NQ
- 1 each K756, K757
- SAA-V109-NQ
- 2 each K757

### Product Dimensions (inches, mm)

SAA-P107-NQ



SAA-V108-NQ, SAA-V109-NQ



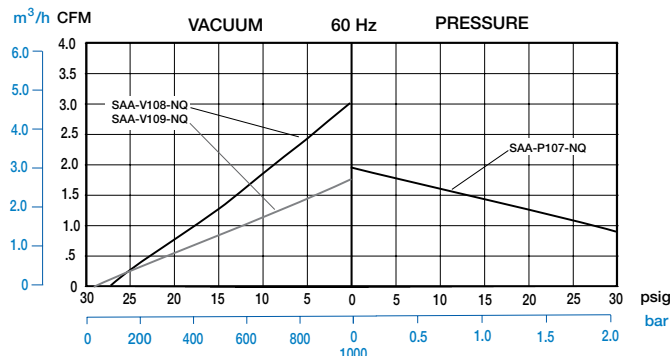
### Product Specifications

Model Number	Motor	Motor Type	Parallel/ Staged	RPM 60 Hz	HP	KW	Net Weight lb	Net Weight kg
SAA-P107-NQ	115-60-1	PSC	Parallel	1575	1/6	0.12	11.1	5.0
SAA-V108-NQ	115-60-1	PSC	Parallel	1575	1/6	0.12	11.1	5.0
SAA-V109-NQ	115-60-1	PSC	Staged	1575	1/6	0.12	11.1	5.0

- Oilless operation
- Motor mounted
- Rugged construction / low maintenance
- Low noise levels

"P" models are pressure only; "V" models are vacuum only

### Product Performance





### Shaded Pole Motor

100 psi max. pressure  
26 inHg max. vacuum  
1.6 CFM open flow

### PSC 4 Pole Motor

100 psi max. pressure  
27 inHg max. vacuum  
.78 CFM open flow

### DC Motor

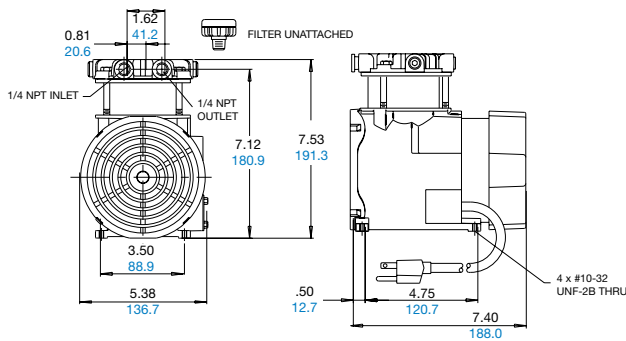
100 psi max. pressure  
26 inHg max. vacuum  
1.1 CFM open flow

### Recommended Accessories

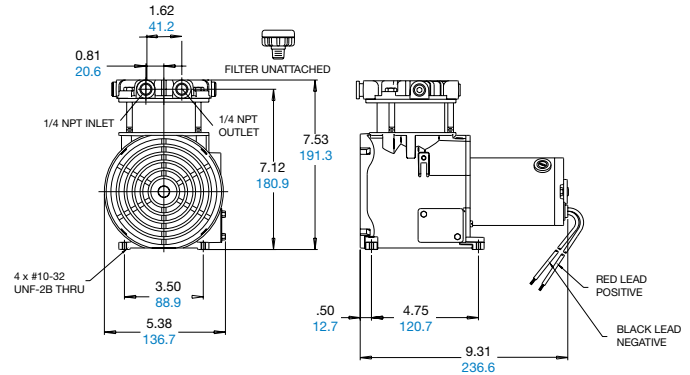
Filter for vacuum only AA617G  
Pressure gauge AF583  
Vacuum gauge AA640  
Pressure relief valve AF592S  
Vacuum relief valve AA550C-V  
(4) Rubber feet AF584A  
Repair kit K757

### Product Dimensions (inches, mm)

#### AC MODELS



#### DC MODELS



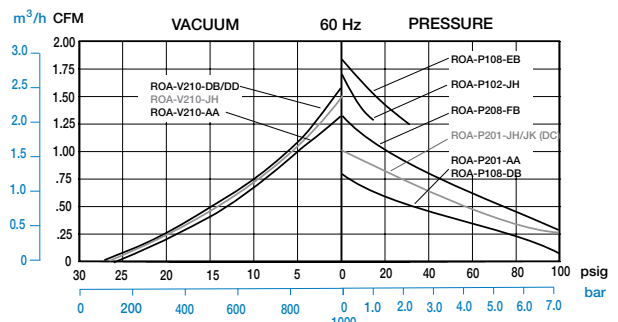
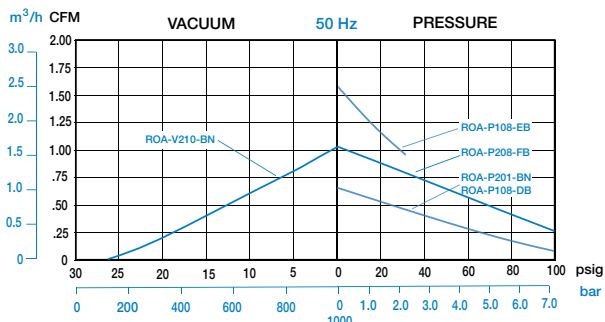
### Product Specifications "P" models are pressure only; "V" models are vacuum only

Model Number	Motor	Motor Type	RPM		HP	KW	Net Weight	
			60 Hz	50 Hz			lb	kg
*ROA-P201-AA	115-60-1	Shaded pole	1575	--	1/8	0.09	12.0	5.6
ROA-P201-BN	220/240-50-1	Shaded pole	--	1275	1/8	0.09	12.0	5.6
ROA-P108-DD	230/220-60/50-1	PSC	1575	1275	1/8	0.09	15.0	6.8
ROA-P108-EB	115/110-60/50-1	PSC	1575	1275	1/4	0.19	15.0	6.8
ROA-P208-DB	115/110-60/50-1	PSC (4 pole)	1575	1275	1/8	0.09	12.3	5.6
ROA-P208-FB	115/110-60/50-1	PSC (2 pole)	3000	2500	1/4	0.19	12.3	5.6
ROA-P209-DB	115/110-60/50-1	PSC	1575	1275	1/8	0.09	12.0	5.6
ROA-P201-JH	12V	DC	2100		1/8	0.09	10.0	4.5
ROA-P201-JK	24V	DC	2100		1/8	0.09	10.0	4.5
*ROA-V210-AA	115-60-1	Shaded pole	1575	--	1/8	0.09	12.3	5.6
†ROA-V210-BN	220/240-50-1	Shaded pole	--	1275	1/8	0.09	12.3	5.6
ROA-V210-JH	12V	DC	2100		1/8	0.09	10.0	4.5

- Oilless operation
- Motor mounted
- Rugged construction / low maintenance
- Low noise levels
- Muffler/filter AH190,  
Capacitor AF873A (DB and DD motors)  
Capacitor AF485A (FB motor) included

\* Includes 10 foot cord, switch, and plug  
† Includes 2 meter European color coded cord (no plug)

### Product Performance





### PSC 4 Pole Motor

100 psi max. pressure  
1.55 CFM open flow (60 Hz)  
27.5 inHg max. vacuum  
2.7 CFM open flow (60 Hz)

### PSC 4 Pole Motor Single Stg

29.0 inHg max. vacuum  
1.5 CFM open flow (60 Hz)

### PSC 2 Pole Motor

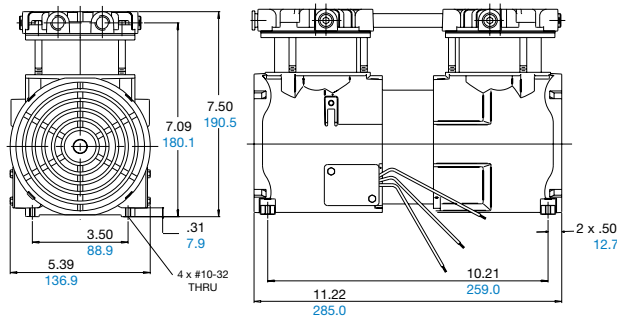
100 psi max. pressure  
2.4 CFM open flow (60 Hz)

### Recommended Accessories

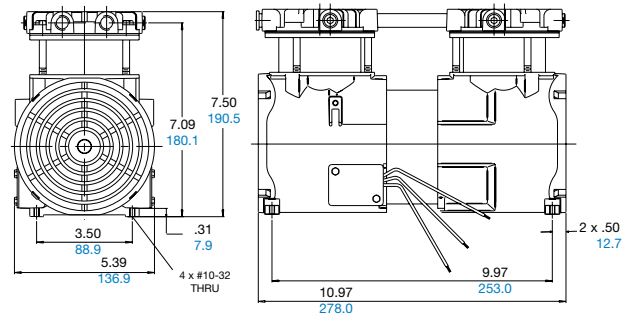
Filter for vacuum only AA617G  
Pressure gauge AF583  
Vacuum gauge AA640  
Pressure relief valve AF592S  
Vacuum relief valve AA550C-V  
(4) Rubber feet AF584A  
(2) Repair kits K757

### Product Dimensions (inches, mm)

#### EB/ED MOTORS



#### GB/GD MOTORS



### Product Specifications

Model Number	Motor	Motor Type	Staged/Parallel	RPM		HP	KW	Net Weight	
				60 Hz	50 Hz			lb	kg
RAA-P203-EB	115/110-60/50-1	PSC (4 pole)	--	1575	1275	1/4	0.19	19	8.6
RAA-P203-ED	230/220-60/50-1	PSC (4 pole)	--	1575	1275	1/4	0.19	19	8.6
RAA-P203-GB	115/110-60/50-1	PSC (2 pole)	--	3000	2500	1/4	0.19	19	8.6
RAA-P203-GD	230/220-60/50-1	PSC (2 pole)	--	3000	2500	1/4	0.19	19	8.6
RAA-V210-EB	115/110-60/50-1	PSC (4 pole)	Parallel	1575	1275	1/4	0.19	19	8.6
RAA-V211-EB	115/110-60/50-1	PSC (4 pole)	Staged	1575	1275	1/4	0.19	19	8.6
RAA-V210-ED	230/220-60/50-1	PSC (4 pole)	Parallel	1575	1275	1/4	0.19	19	8.6

- Oilless operation
- Motor mounted
- Rugged construction / low maintenance
- Low noise levels
- Muffler/filter AH190, unattached capacitor AF876 (EB motors) AF873A (EB motors) included

"P" models are pressure only; "V" models are vacuum only

### Product Performance

