



These valves are ideal for mounting directly on the machine or fixture for maximum operator convenience. They also permit the pump to be located away from the operator's workstation. Each of these valves allows several circuits to be controlled with a single pump.

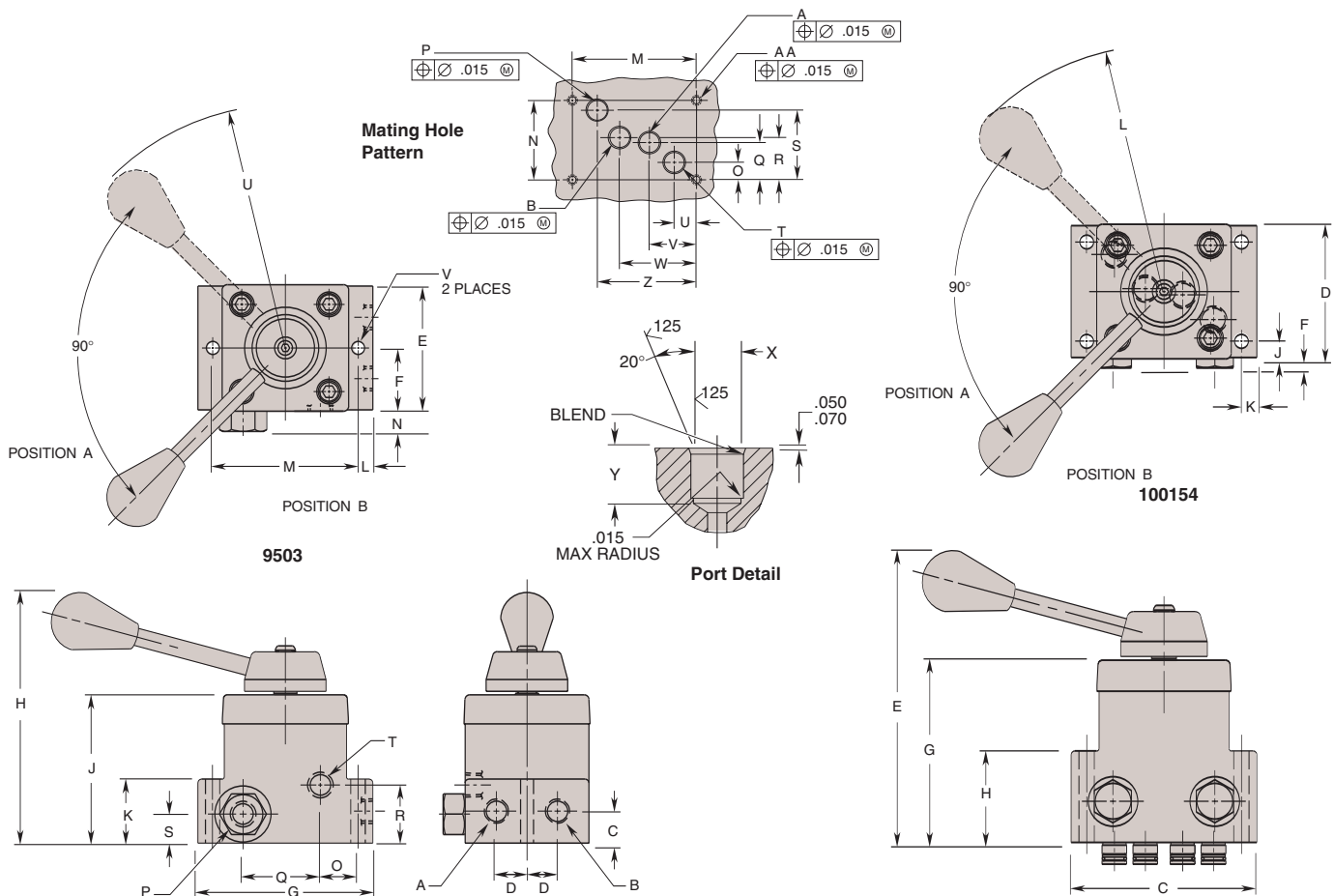
**Features:**

- 3-way/4-way, 2-position, detented
- Manually operated
- Remote mounted
- Single- or double-acting systems
- Handle swings 90° and may be repositioned in 22.5° intervals
- Pressure port check valves

- 5,000 psi max.
- 5 gpm max.
- 500 psi max. return line pressure
- No. 9503 includes mounting hardware, ¼-20 UNC x 1.875" cap screws

**Note:** When using No. 9503 valve in multiple fixture applications with a single power source, Hytec recommends that check valve No. 206330 or No. 500171 be connected to the tank port to prevent return line back pressure from actuating released single-acting components, or causing pressure fluctuations in double-acting systems. Valve No. 100154 has a built-in check valve.

Remote Mounted Control Valves



Cat. No.	Dimensions (In Inches)																				
	A Port	B Port	C	D	E	F	G	H	J	K	L	M	N	O	P Port	Q	R	S	T Port	U Rad.	V Dia.
9503	¼ NPTF	¼ NPTF	.687	.656	2.660	1.330	3.750	5.420	3.188	1.375	.312	3.125	.469	.812	¼ NPTF	1.656	1.250	.625	¼ NPTF	5.031	.281

Cat. No.	Dimensions (In Inches)																									
	A	B	C	D	E	F	G	H	J	K	L Rad.	M	N	O	P	Q	R	S	T	U	V	W	X Dia.	Y	Z	AA Thd. Size
100154	*	*	3.750	2.656	6.047	.213	3.675	1.845	.312	.312	5.032	3.125	2.000	.438	*	.938	1.063	1.750	*	.560	1.185	1.935	.500 .503	.515 .535	2.560	¼-20 UNC

NOTE: \*See Port Detail drawing for ports A, B, P and T.