

# 860, 861, 890, 891, 1000, 1001

## Pneumatic Power Clamps | Ordering Information

860

Base Model	Description
<b>860</b>	50,8 mm [2 in.] Cylinder with Vertical Clamp Arm
<b>861</b>	50,8 mm [2 in.] Cylinder with Horizontal Clamp Arm
<b>890</b>	63,5 mm [2.5 in.] Cylinder with Vertical Clamp Arm
<b>891</b>	63,5 mm [2.5 in.] Cylinder with Horizontal Clamp Arm
<b>1000</b>	82,5 mm [3.25 in.] Cylinder with Vertical Clamp Arm
<b>1001</b>	82,5 mm [3.25 in.] Cylinder with Horizontal Clamp Arm

Sensors	Description (order separately)
<b>BIM-IKE-AP</b>	Magnetic Sensor, 2 pieces required
<b>810151</b>	Magnetic Sensor, 2 pieces required
<b>810153</b>	Magnetic Sensor, 2 pieces required
<b>810155</b>	Magnetic Sensor, 2 pieces required
<b>810157</b>	Magnetic Sensor, 2 pieces required

See page 70 for sensor specifications.

Seal Kit	Description (order separately)
<b>8610100</b>	Seal Kit for Model 860, 861
<b>8910100</b>	Seal Kit for Model 890, 891
<b>10010100</b>	Seal Kit for Model 1000, 1001

Cylinder	Description (order separately)
<b>865133-MR</b>	Replacement Cylinder for Model 860
<b>865132-MR</b>	Replacement Cylinder for Model 861
<b>895133-MR</b>	Replacement Cylinder for Model 890
<b>895132-MR</b>	Replacement Cylinder for Model 891
<b>1005134-MR</b>	Replacement Cylinder for Model 1000
<b>1005133-MR</b>	Replacement Cylinder for Model 1001



861

Max Holding Torque  
380 Nm [280 ft-lb]  
Max Clamping Torque  
120 Nm [89 ft-lb]  
at 5 bar [72 psi]

891

Max Holding Torque  
1300 Nm [959 ft-lb]  
Max Clamping Torque  
270 Nm [199 ft-lb]  
at 5 bar [72 psi]

1001

Max Holding Torque  
1800 Nm [1328 ft-lb]  
Max Clamping Torque  
420 Nm [310 ft-lb]  
at 5 bar [72 psi]

860

Max Holding Torque  
380 Nm [280 ft-lb]  
Max Clamping Torque  
120 Nm [89 ft-lb]  
at 5 bar [72 psi]

890

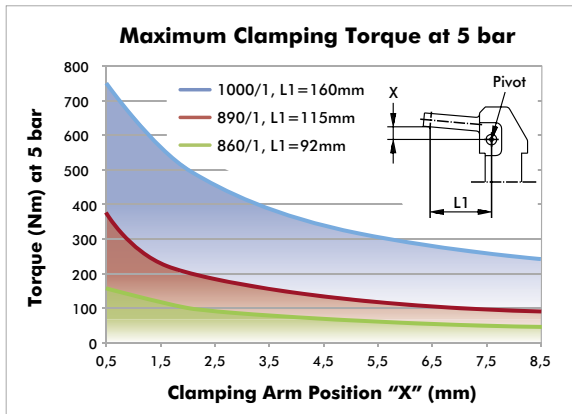
Max Holding Torque  
1300 Nm [959 ft-lb]  
Max Clamping Torque  
270 Nm [199 ft-lb]  
at 5 bar [72 psi]

1000

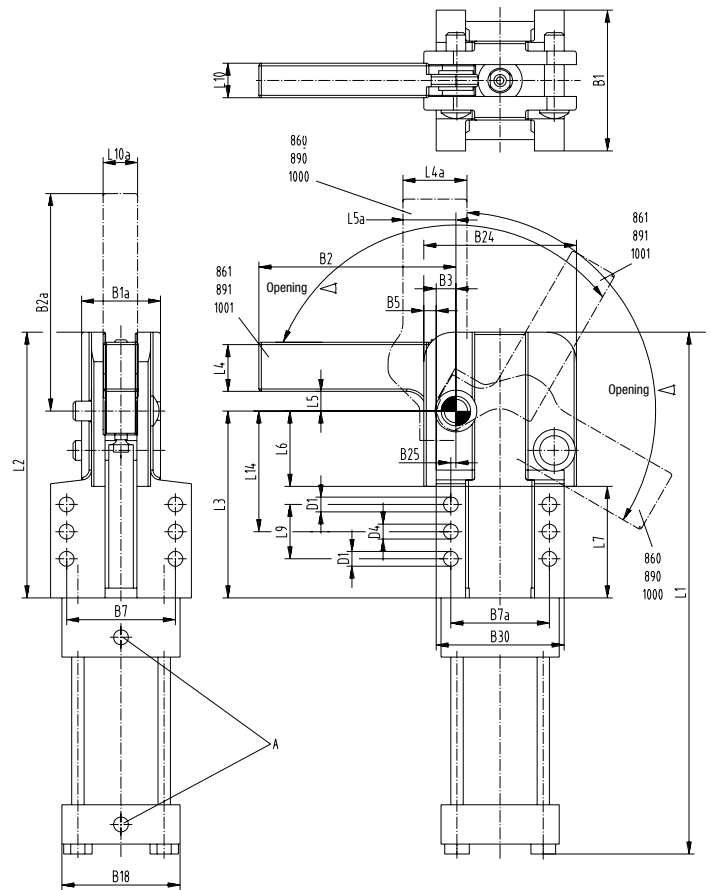
Max Holding Torque  
1800 Nm [1328 ft-lb]  
Max Clamping Torque  
420 Nm [310 ft-lb]  
at 5 bar [72 psi]

# 860, 861, 890, 891, 1000, 1001

## Pneumatic Power Clamps | Dimensions and Technical Specifications



Model	Cylinder Ø mm [in]	Opening Angle	Weight kg [lbs]
860	[2.00]	96°	[8.58]
861	50,8	119°	3,9
890	[2.50]	96°	[16.06]
891	63,5	119°	7,3
1000	[3.25]	96°	[29.70]
1001	82,5	119°	13,5



Power by compressed air, max. 6 bar  
Operation with oil-free air is permissible.

Information vor machining of clamp arm: Steel 1.0726

Model	A	B1	B1A	B2	B2A	B3	B5	B7	B7A	B18	B24	B25	B30
860	G1/8	[2.94]	[1.75]	-	[5.44]	[0.41]	[0.25]	[2.31]	[2.19]	[2.5]	[3.31]	[0.09]	[2.81]
861		74,7	44,5	[4]	-								
890	G1/8	[3.56]	[2]	-	[6.57]	[0.5]	[0.31]	[2.76]	[2.5]	[3]	[3.87]	[0.13]	[3.25]
891		90,4	50,8	5.06	166,9								
1000	G1/8	[4.5]	[2.62]	-	[9]	[0.63]	[0.44]	[3.5]	[3.5]	[3.75]	[5.38]	[0.13]	[4.5]
1001		114,3	66,5	7	228,6								

Model	ØD1	ØD4	L1	L2	L3	L4	L4A	L5	L5a	L6	L7	L9	L10	L10a	L14
860	[0.34]	[0.31]	[12.44]	[5.75]	[4.06]	-	[1.12]	--	[0.69]	[1.44]	[2.5]	[1.25]	[0.62]	[0.62]	[2.5]
861	8,6	7,9	316	146,1	103,1	[1.13]	-	[0.4]	--	36,6	63,5	31,8	15,7	15,7	63,5
890	[0.41]	[0.38]	[13.37]	[6.75]	[4.75]	-	[1.25]	-	[0.84]	[1.75]	[2.65]	[1.38]	[0.81]	[0.81]	[3.06]
891	10,4	9,7	339,6	171,5	120,7	[1.25]	-	[0.5]	--	44,5	67,3	35,1	20,6	20,6	77,7
1000	[0.53]	[0.5]	[17.51]	[9.25]	[6.25]	-	[1.75]	-	[1.37]	[2.25]	[3.96]	[2]	[1]	[1]	[3.75]
1001	13,5	12,7	444,8	235	158,8	[1.75]	-	[0.88]	--	57,2	100,6	50,8	25,4	25,4	95,3