

# 82L...-4...

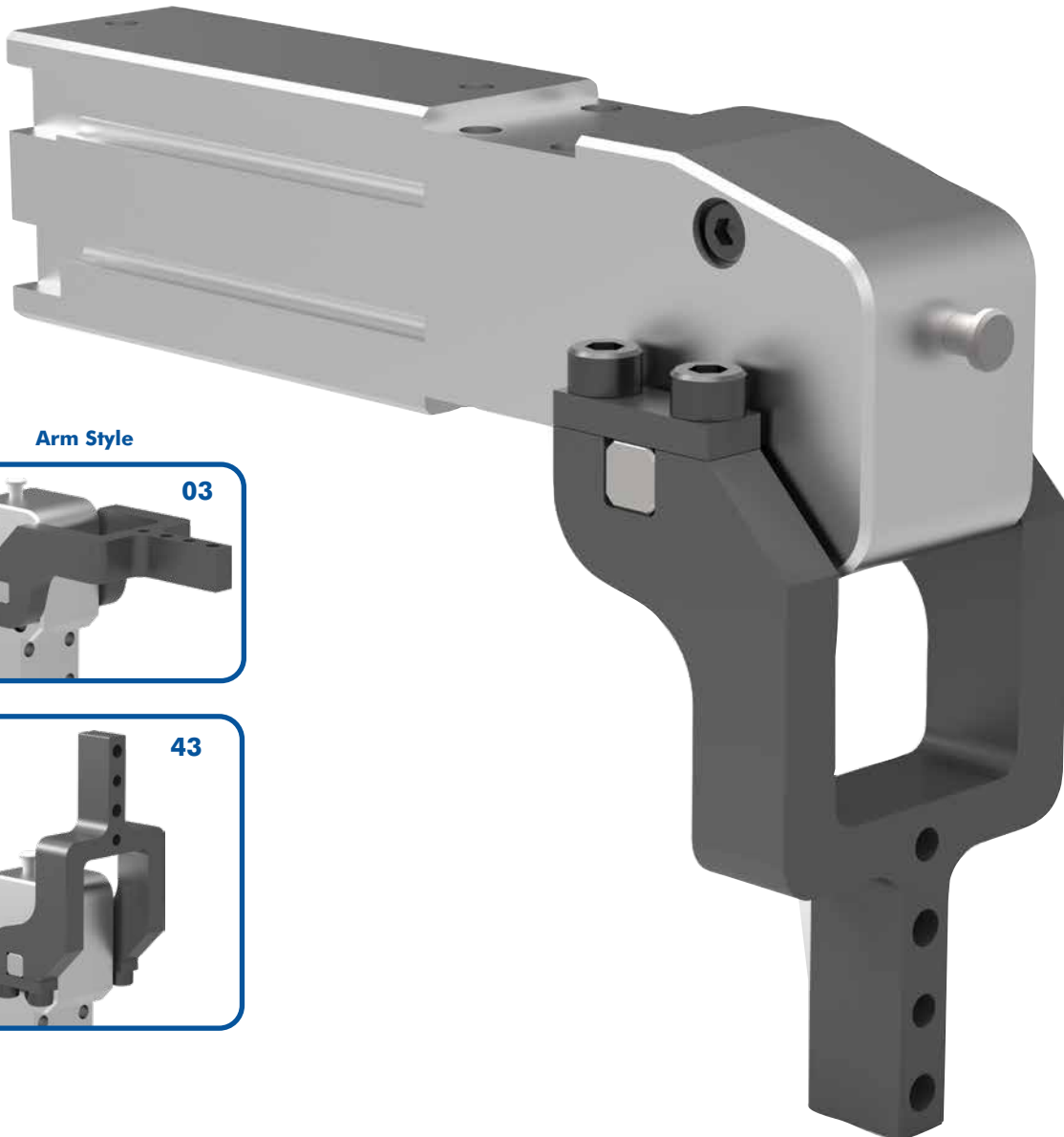
## Enclosed Pneumatic Power Clamps | Miniature | Ordering Information

82L 16-4 03 0

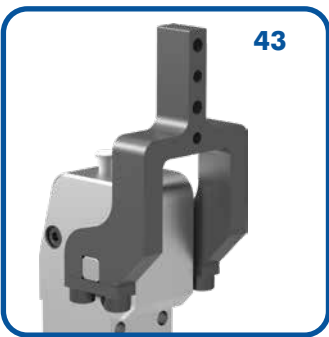
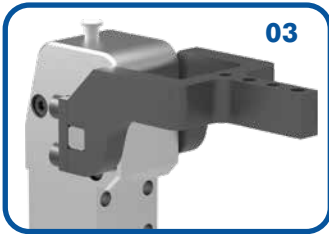
Size	Description
12-4	12 mm Cylinder (M5 Port)
16-4	16 mm Cylinder (M5 Port)
20-4	20 mm Cylinder (M5 Port)
25-4	25 mm Cylinder (M5 Port)

Arm Style	Description
00	No clamping arm
03	U-bar, central 90°
43	U-bar, central 180°
<i>See below for further details</i>	

Opening Angle	Description
0	105° (Standard)
3	90°
4	75°
5	60°
6	45°
7	30°
8	15°



Arm Style



### Accessories

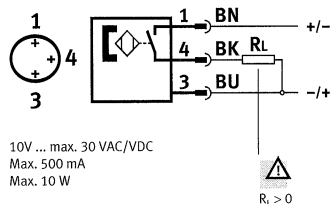
**8EA-109-1**

**82ZB-004-1**

Description (order separately)

Sensor, 3-wire cable, M8x1 connector, 3-pin

Adapter for mounting 82L20-4, 82L25-4 to 25mm dia. bar



**12**

Max Holding Torque  
35 Nm [25.8 ft-lb]  
Max Clamping Torque

**90° version:** 10,4 Nm [7.7 ft-lb]  
**180° version:** 8,7 Nm [6.4 ft-lb]  
at 5 bar [72 psi]



**16**

Max Holding Torque  
40 Nm [29.5 ft-lb]  
Max Clamping Torque

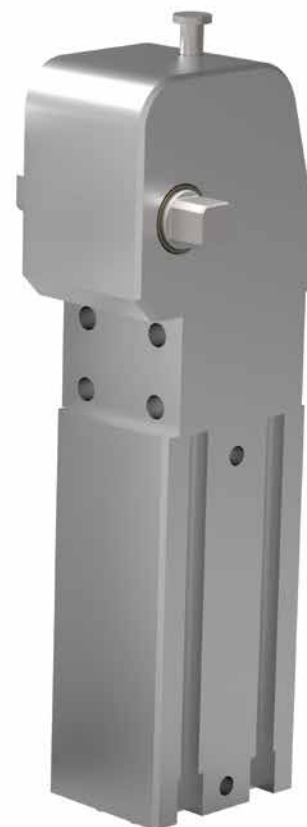
12,4 Nm [9.1 ft-lb]  
11 Nm [8.1 ft-lb]  
at 5 bar [72 psi]



**20**

Max Holding Torque  
50 Nm [36.9 ft-lb]  
Max Clamping Torque

21,3 Nm [15.5 ft-lb]  
19,3 Nm [14.2 ft-lb]  
at 5 bar [72 psi]



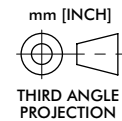
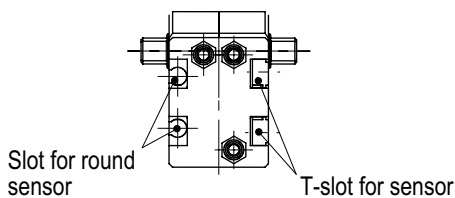
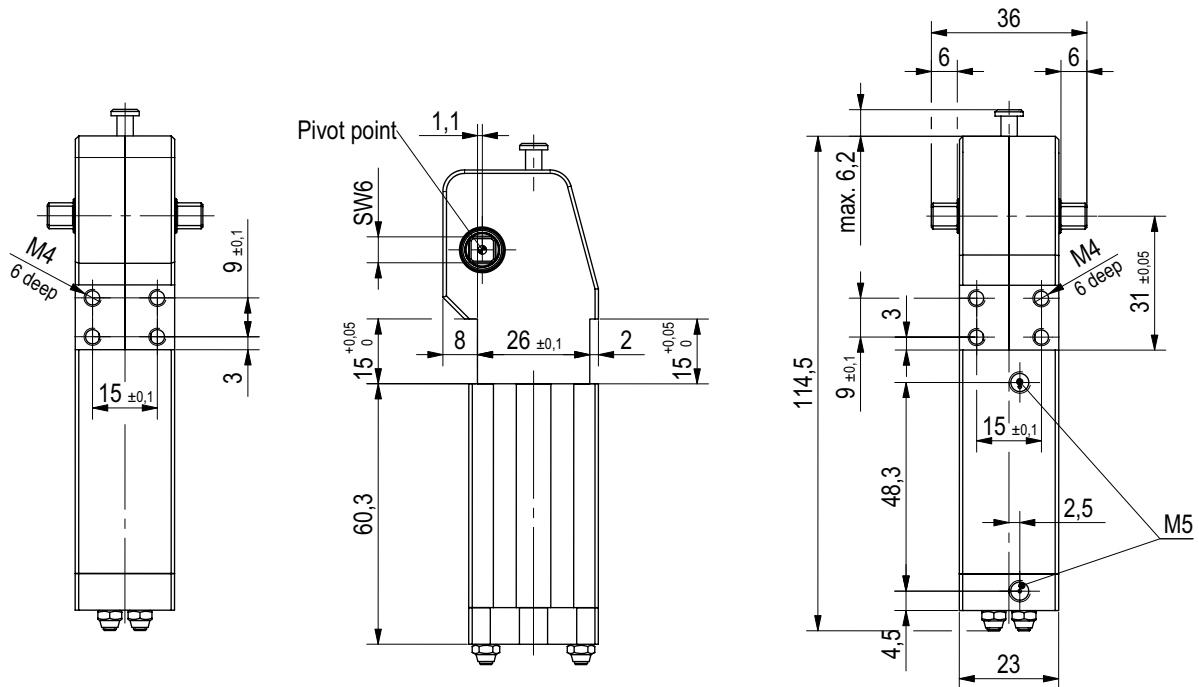
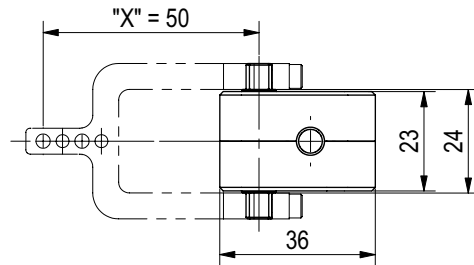
**25**

Max Holding Torque  
80 Nm [59.0 ft-lb]  
Max Clamping Torque

31,8 Nm [23.4 ft-lb]  
28,5 Nm [21.0 ft-lb]  
at 5 bar [72 psi]

# 82L12-4

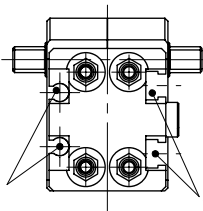
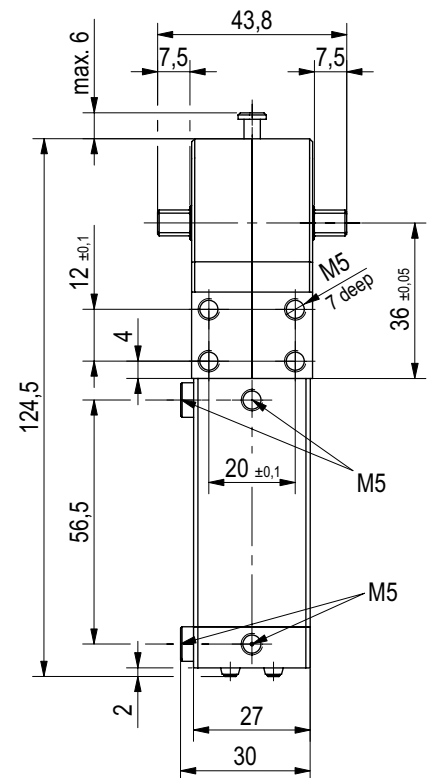
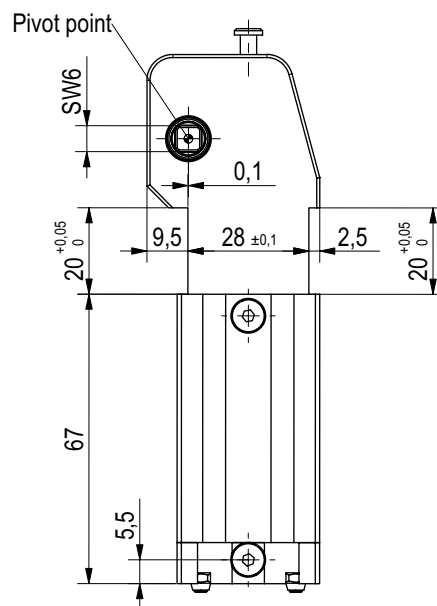
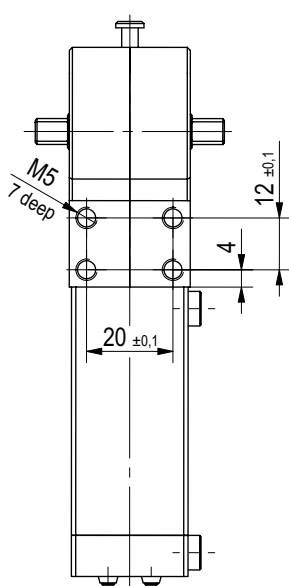
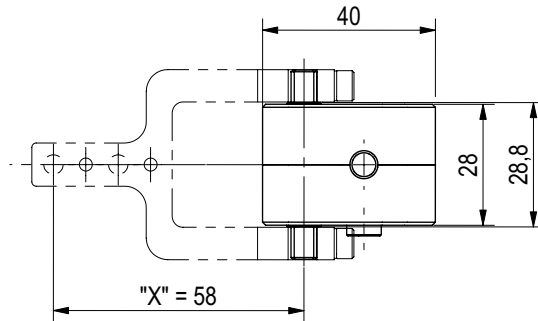
## Enclosed Pneumatic Power Clamps | Miniature | Dimensions and Technical Specifications



Power by compressed air, max. 6 bar Operation with oil-free air is permissible.

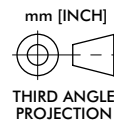
Model	Max. Holding Torque Nm [lb ft]	Max. Clamping Torque at 5 bar [72 psi] Nm [lb ft]	Weight [with arm] kg [lb]	Air Consumption per double stroke at 5 bar [72 psi] dm <sup>3</sup> [ft <sup>3</sup> ]	Max. Added Load (at Position "X") g [oz]
82L12-4030	35 [25.8]	10,4 [7.8]	0,23 [0.5]	0,25 [0.01]	50 [1.8]
82L12-4430	35 [25.8]	8,7 [6.4]	0,23 [0.5]	0,25 [0.01]	50 [1.8]

## Enclosed Pneumatic Power Clamps | Miniature | Dimensions and Technical Specifications



Slot for round sensor

T-slot for sensor

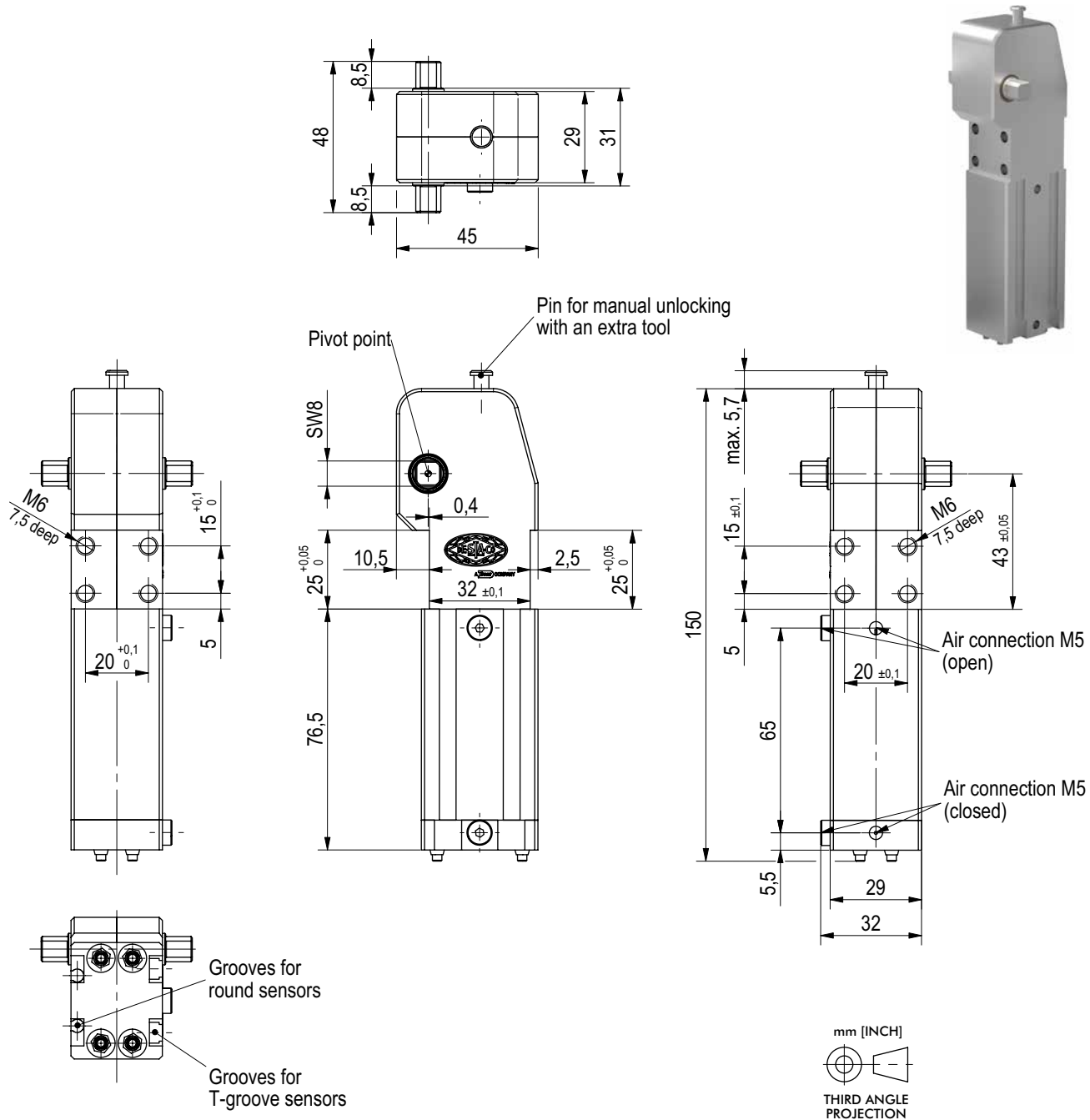


Power by compressed air, max. 6 bar Operation with oil-free air is permissible.

Model	Max. Holding Torque Nm [lb ft]	Max. Clamping Torque at 5 bar [72 psi] Nm [lb ft]	Weight [with arm] kg [lb]	Air Consumption per double stroke at 5 bar [72 psi] dm <sup>3</sup> [ft <sup>3</sup> ]	Max. Added Load (at Position "X") g [oz]
<b>82L16-4030</b>	40 [29.5]	12,4 [9.4]	0,33 [0.7]	0,27 [0.01]	80 [2.8]
<b>82L16-4430</b>	40 [29.5]	11,0 [8.1]	0,33 [0.7]	0,27 [0.01]	80 [2.8]

# 82L20-4

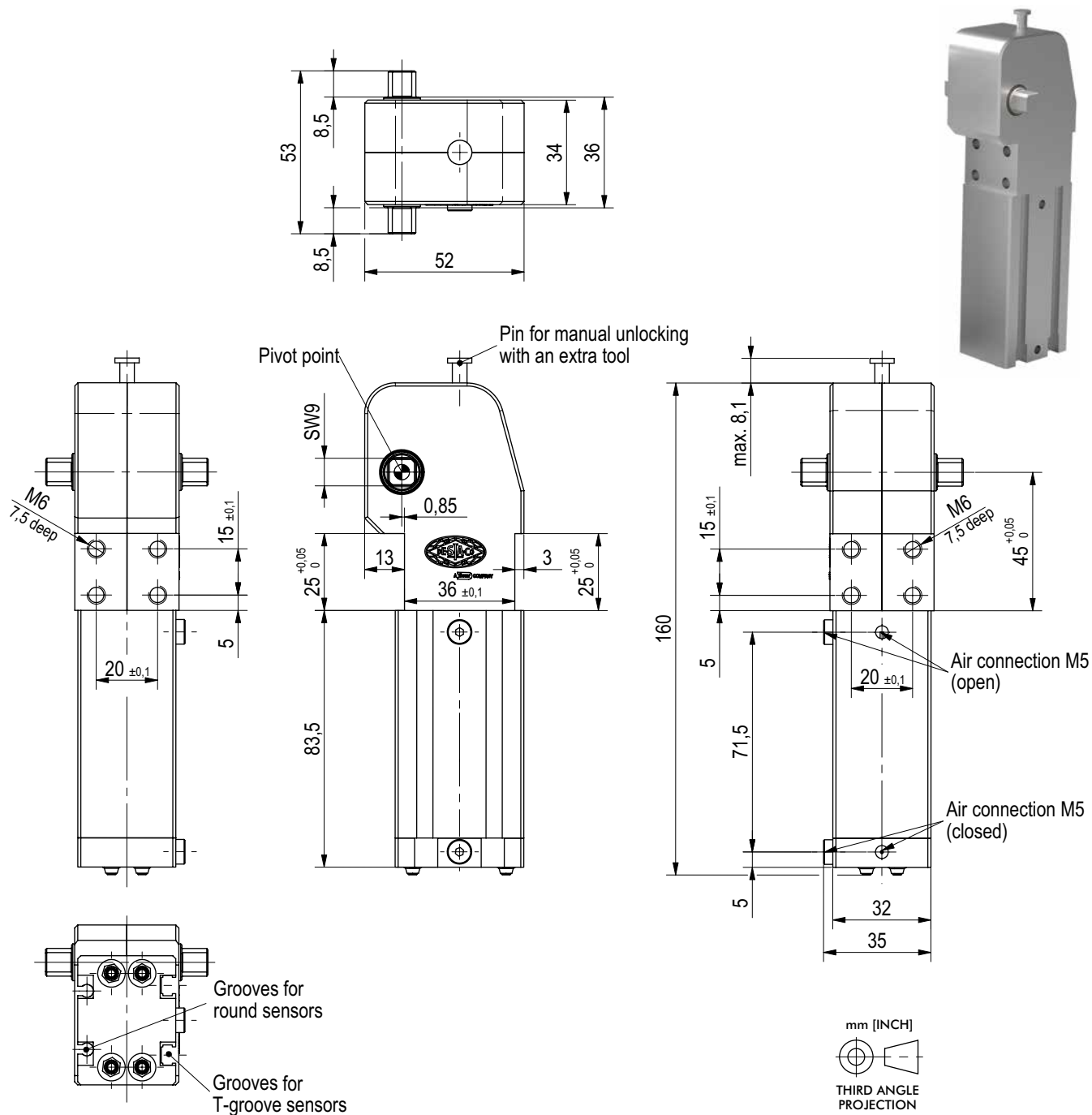
## Enclosed Pneumatic Power Clamps | Miniature | Dimensions and Technical Specifications



Power by compressed air, max. 6 bar Operation with oil-free air is permissible.

Model	Max. Holding Torque Nm [lb ft]	Max. Clamping Torque at 5 bar [72 psi] Nm [lb ft]	Weight [with arm] kg [lb]	Air Consumption per double stroke at 5 bar [72 psi] dm <sup>3</sup> [ft <sup>3</sup> ]	Max. Added Load (at Position "X") g [oz]
82L20-4030	50 [36.9]	21,0 [15.5]	0,42 [0.9]	0,35 [0.01]	90 [3.2]
82L20-4430	50 [36.9]	19,3 [14.3]	0,42 [0.9]	0,35 [0.01]	90 [3.2]

## Enclosed Pneumatic Power Clamps | Miniature | Dimensions and Technical Specifications

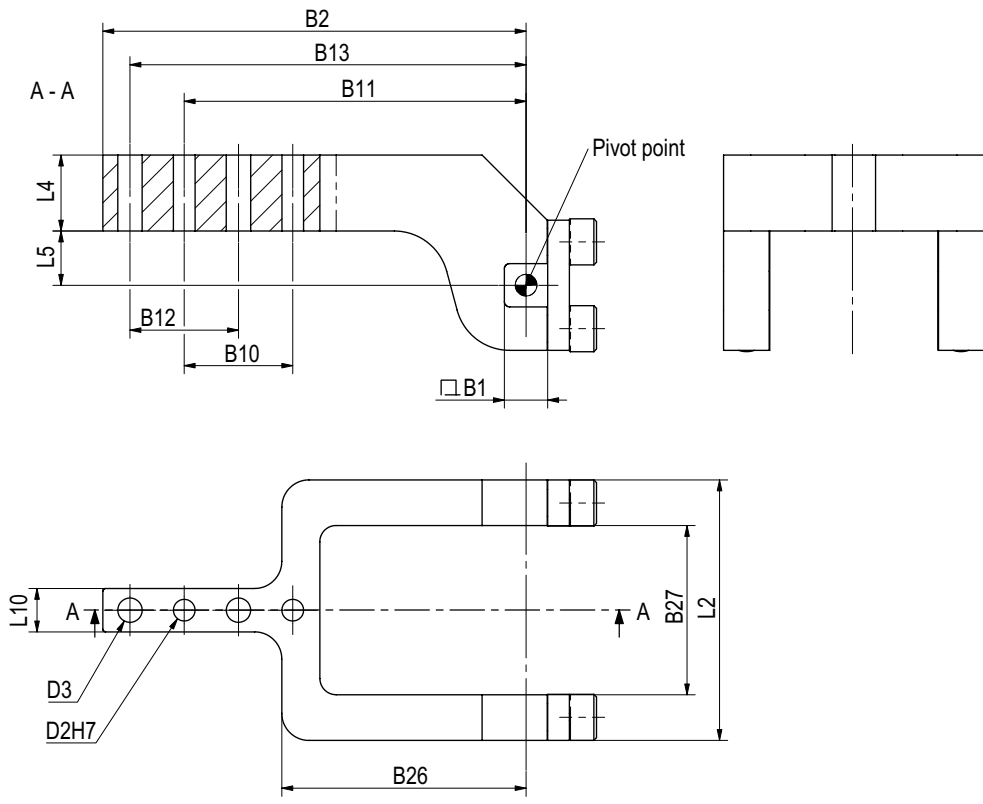
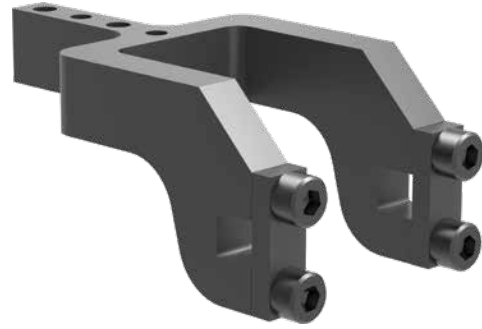


Power by compressed air, max. 6 bar Operation with oil-free air is permissible.

Model	Max. Holding Torque Nm [lb ft]	Max. Clamping Torque at 5 bar [72 psi] Nm [lb ft]	Weight [with arm] kg [lb]	Air Consumption per double stroke at 5 bar [72 psi] dm <sup>3</sup> [ft <sup>3</sup> ]	Max. Added Load (at Position "X") g [oz]
<b>82L25-4030</b>	80 [59]	31,8 [23.5]	0,66 [1.5]	0,40 [0.01]	100 [3.5]
<b>82L25-4430</b>	80 [59]	28,5 [12.5]	0,66 [1.5]	0,40 [0.01]	100 [3.5]

# 82L...-4...

## Enclosed Pneumatic Power Clamps | Miniature | Clamp Arm Dimensions



Model	Order no. for Arm	Max. Opening angle	B1	B2	B10 ±0,02	B11 ±0,02	B12 ±0,1	B13 ±0,1	B26	B27	D2 H7	D3	L2	L4	L5	L10
82L12-4...	8JG-401-1-01	105°	6	54	9	45.5	9	50	38,5	24	3	3.3	36	7	10	6
82L16-4...	8JG-402-1-01	105°	6	63	15	50.5	15	58	36,5	29	3	4.5	44	9.5	10	10
82L20-4...	8JG-403-1-01	105°	8	78	20	63	20	73	45	31,2	4	4.5	48	14	10	8
82L25-4...	8JG-404-1-01	105°	9	81	20	66	20	76	48	36	4	6.4	53	16	10	12

