

800, 1200 SERIES

Pneumatic Single-Action Hold Down Clamp | Product Overview

Features:

- Low profile and compact for mounting in tight spaces
- Uniform clamping force throughout full stroke
- Accommodates variable workpiece thickness
- Single acting - air advance, spring return

Applications:

- Assembly
- Welding
- Light machining

How it Works:

1. Clamp arm retracts fully for loading and unloading.
2. Clamp arm moves straight forward.
3. Clamp arm pivots down to hold workpiece.

800



800-E



1200 ⓘ



1200-E ⓘ



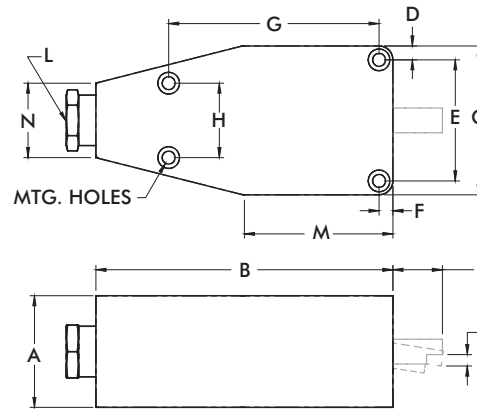
Technical Information | Holding Capacities | Dimensions | -E

Model	Inlet Pressure bar [PSI]	Exerting Force @ 4,8 bar [70 PSI] N [lbf]	Max. Pressure at Max. Mechanical Advantage† bar [PSI]	Clamping Range	Weight Kg [lbs]	Port Size
800	[70~150] 4,8~10,3	[800] 3560	4,8 [70]	[0.09] 2,3	[2.50] 1,13	1/4 NPT
800-E		[500] 2225		[0.16] 4,0		
1200 ⓘ		[1200] 5340		[0.25] 6,4	[4.00] 1,81	
1200-E ⓘ		[775] 3450		[0.38] 9,6		

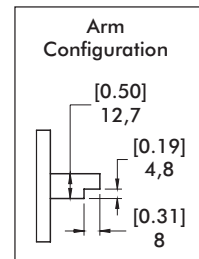
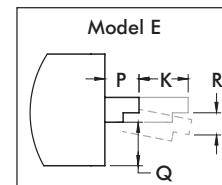
ⓘ This item is available upon request

Note: For use with pneumatic power only. This is a single acting device (air clamp, spring return), a 3-way air valve required for control.

Repair Kits: 800-00,
1200-00



Note:
K (Forward Stroke)
R (Downward Stroke)



Model	A	B	C	D	E	F	G	H	K	L	M	N	P	Q	R	MNTG HOLES
800	[1.63] 41,4	[4.81] 122,8	[2.72] 69,1	[0.25] 6,4	[2.21] 56,1	[0.25] 6,4	[3.13] 79,5	[1.19] 30,2	[0.50] 12,7	1/4 NPT	[2.31] 58,37	[1.50] 38,1	-	[0.59] 15,0	[0.09] 2,3	[0.26] 6,6
800-E													[0.50] 12,7		[0.16] 4,1	
1200														-	[0.25] 6,4	
1200-E	[2.25] 57,2	[6.00] 152,4	[3.00] 76,2	[0.28] 7,1	[2.44] 62	[0.28] 7,1	[4.25] 108	[1.50] 38,1	[0.69] 17,5			[3.00] 76,2	[1.38] 35,1	[0.69] 17,5	[0.63] 16	

