

602, 604, 624 SERIES

Straight Line Action Clamps | Product Overview

Features:

- Versatile and compact straight line action clamps
- Threaded body for through hole mounting
- **-SS** models are stainless steel

Applications:

- Assembly
- Checking fixtures
- Welding fixtures
- Tensioning devices

Also Available:

See page MC-ACC-1 for accessories

602
602-**SS**
602-**MM**
602-**MMSS**



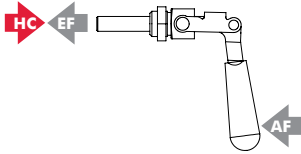
604
604-**SS**
604-**MM**
604-**MMSS** ⓘ



624
624-**SS**
624-**MM**



Technical Information | Holding Capacities | Dimensions



Model	Max. Holding Capacity	Weight	EF:AF (pushing/pulling)	Plunger Travel	(M) Plunger Thread	Spindle (Recommended)	Mounting Nut (Supplied)
602					1/4-20	205203	602105
602-SS	[200 lbf] 900 N	[0.12lb] 0,05kg	31:1/28:1	[0.75] 19	M6	202943	602905
602-MM						205203-M	602105-M
602-MMSS ⓘ						202943-M	602905-M
604	[300 lbf] 1330 N				5/16-18	207203	606104
604-SS	[400 lbf] 1780 N	[0.44lb] 0,20kg	45:1/26:1	[1.50] 38	M8	--	606904
604-MM	[300 lbf] 1330 N					207943	606104-M
604-MMSS ⓘ	[400 lbf] 1780 N					207943-M (included)	606904-M
624					3/8-16	210203	624105
624-SS	[700 lbf] 3110 N	[1.63lb] 0,74kg	49:1/21:1	[2.63] 66	M10	237943 (included)	624905
624-MM						210203-M	624105-M

ⓘ This item is available upon request **HC** = Holding Capacity, **EF** = Exerting Force, **AF** = Applied Force

602, 604, 624 SERIES

Straight Line Action Clamps | Dimensions | -SS/-MM/-MMSS

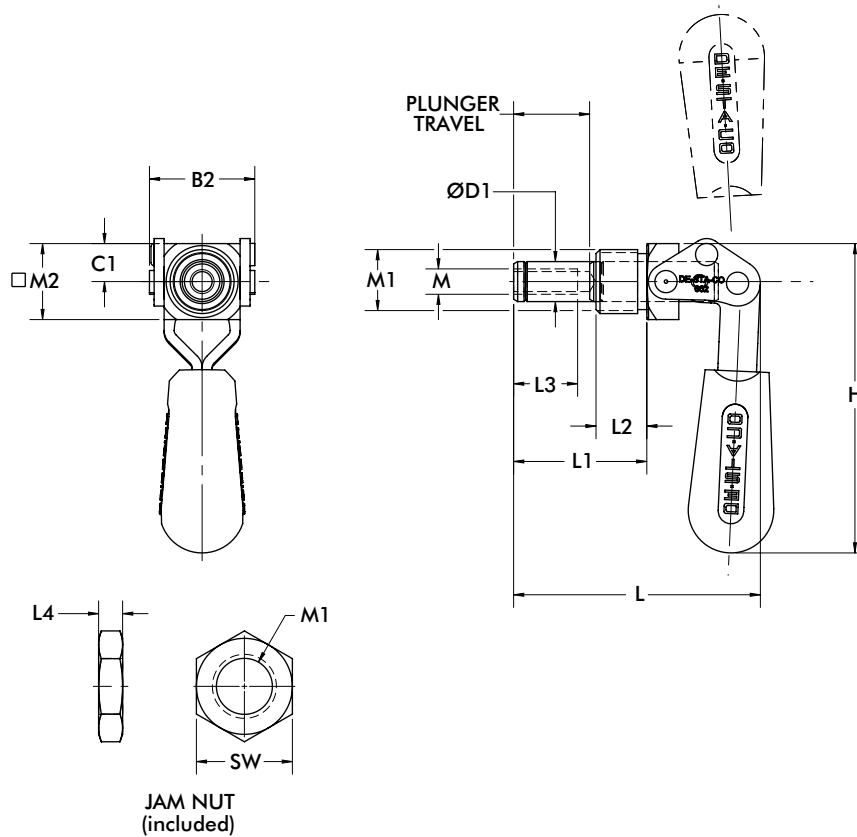
602
602-SS
602-MM
602-MMSS



604
604-SS
604-MM
604-MMSS ⓘ



624
624-SS
624-MM



mm [INCH]
THIRD ANGLE PROJECTION

Model no.	B2	C1	ØD1	H	L	L1	L2	L3	L4	M1	M2	SW
602			[0.39] 10									[0.88] 22,2
602-SS	[1.04] 26,3	[0.37] 9,5	[0.37] 9,5	[3.13] 80	[2.43] 61,7	[1.31] 33,3	[0.50] 12,7	[0.63] 16	[0.25] 6,4	5/8-18	[0.75] 19	[0.87] 22
602-MM			[0.39] 10							M16x1.5		
602-MMSS												
604												
604-SS	[1.30] 33	[0.44] 11	[0.44] 11	[4.16] 106	[4.27] 108,5	[2.18] 55	[0.63] 16	[1.00] 25		3/4-16	[0.88] 22	[1.00] 25,4
604-MM										M20x1.5		[1.18] 30
604-MMSS									[0.25] 6			
624												
624-SS	[1.81] 46	[0.75] 19	[0.62] 16	[5.60] 142	[6.68] 170	[3.62] 92	[0.88] 22	[1.25] 32		1-14	[1.25] 32	[1.50] 38,1
624-MM										M27x2		[1.61] 41