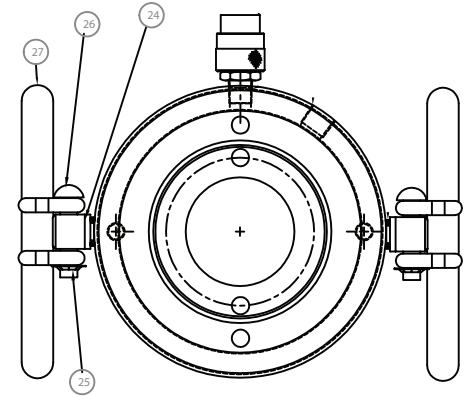
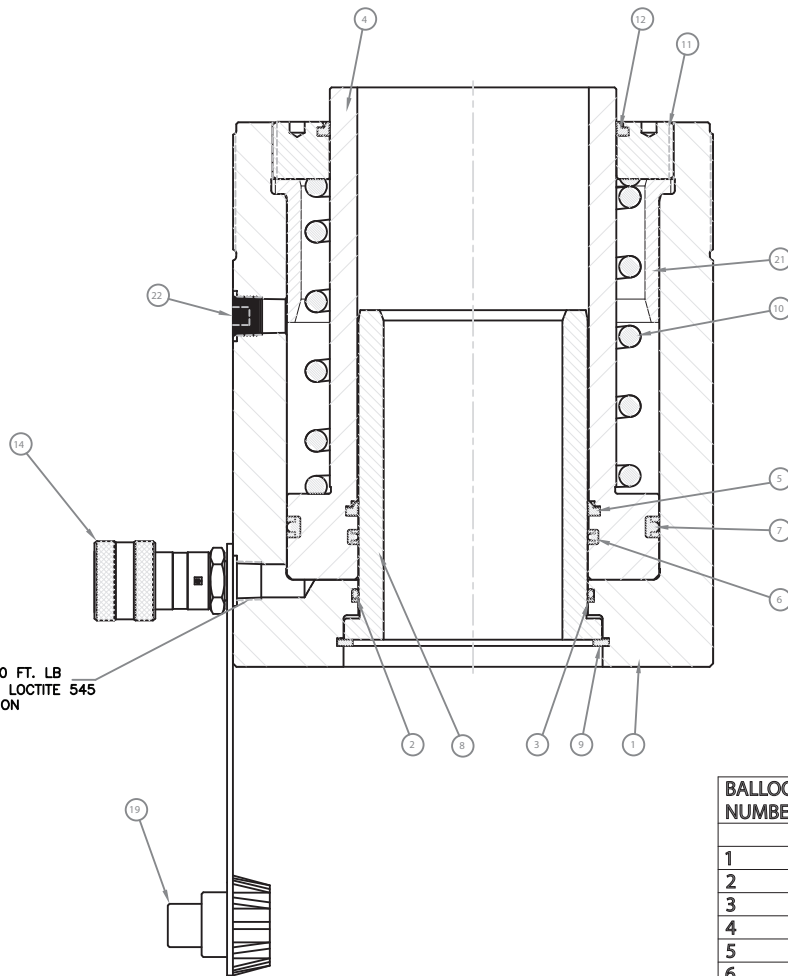




www.tksimplex.com

RC1003A S.A CENTER HOLE REPAIR PARTS SHEET

Part Sheet # 54651
Revision - A
Date: 08_12



TORQUE TO 40-60 FT. LB
[54-81N-m] USE LOCTITE 545
OR TEFLON TAPE ON
PIPE THREADS.

ITEM #	DESCRIPTION	PART #	QTY.
24	HANDLE STUD	42371	2
25	RIVET	93903	2
26	3/8 RETAINING NO THRDS	42498	2
27	CARRYING HANDLE	41192	2

BALLOON NUMBER	DESCRIPTION	SIMPLEX PART NUMBER
	MODEL NUMBER	RC1003A
1	CYLINDER BASE	N/A
2	O RING	*
3	BACKUP RING	*
4	PISTON	46606
5	WIPER RING	*
6	G.T. RING	*
7	G.T. RING	*
8	TUBE WELDMENT	6110321
9	RETAINING RING	6110360
10	SPRING	6110362
11	STOP NUT	6110322
12	WIPER RING	*
14	FEMALE COUPLER	40858
19	DUST CAP	CR215
21	PISTON SLEEVE	6110363
22	FLUSH PLUG	46511
	SIMPLEX LOGO	88165
	WARNING DECAL	80827
	SEAL KIT (* = COMPONENTS)	54647

WARRANTY STATEMENT

Simplex products are warranted to be free of defects in materials and workmanship under normal use for as long as they are owned by the original purchaser, subject to the exclusions and limitations listed. This warranty does not cover ordinary normal wear & tear, abuse, overloading, alterations, (including repairs or attempted repairs by parties other than SIMPLEX or its Authorized Service Centers), improper fluid, or use in a manner for which they are not intended or use which is contrary to instructions for the products. If the customer believes a product is defective, the product must be delivered, or shipped freight prepaid, to the nearest SIMPLEX Authorized Service Center.