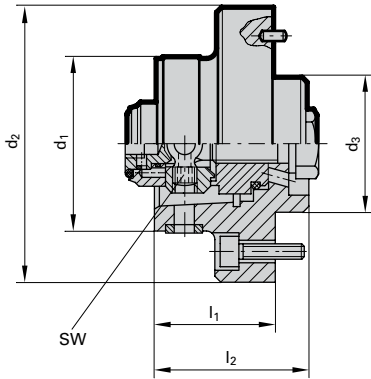


HSK spindle adaptors (in front)

Product information

- for the transferable torsional moment the interface between spindle and flange has to be taken into consideration.



Scope of delivery

- incl. clamping set Guhring no. 4958 for conventional cooling
- incl. brass lock ring Guhring no. 4953
- incl. indexing pin and retention screws
- for MQL application, order as special adaptor with MQL clamping set Guhring no. 4930 and MQL retention nut, Guhring no. 4935



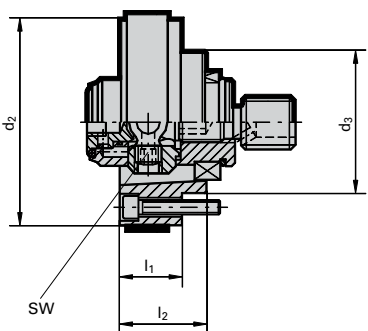
Series Number **4386**

| HSK-C d_1 | d_2 mm | d_3 mm | l_1 mm | l_2 mm | SW | kg | Order Code | EDP Numbers |
|----------------|-------------|-------------|-------------|-------------|-----|------|------------|---------------|
| 25 | 45 | 23 | 20 | 28 | 2.5 | 0.22 | 19.000 | 9043860190000 |
| 32 | 60 | 30 | 26 | 36 | 2.5 | 0.38 | 24.000 | 9043860240000 |
| 40 | 70 | 35 | 30 | 40 | 3 | 0.6 | 30.000 | 9043860300000 |
| 50 | 80 | 40 | 35 | 45 | 4 | 0.92 | 38.000 | 9043860380000 |
| 63 | 100 | 50 | 43 | 55 | 5 | 1.75 | 48.000 | 9043860480000 |
| 80 | 117 | 60 | 50 | 62 | 6 | 2.79 | 60.000 | 9043860600000 |

Short HSK spindle adaptors (integrated)

Product information

- for the transferable torsional moment the interface between spindle and flange has to be taken into consideration.



Scope of delivery

- incl. clamping set Guhring no. 4958 for conventional cooling
- incl. brass lock ring Guhring no. 4953
- incl. indexing pin and retention screws
- for MQL application, order as special adaptor with MQL clamping set Guhring no. 4930



Series Number **4385**

| for HSK-C | d_2 mm | d_3 mm | l_1 mm | l_2 mm | SW | kg | Order Code | EDP Numbers |
|--------------|-------------|-------------|-------------|-------------|-----|------|------------|---------------|
| 32 | 40 | 27 | 12.5 | 16 | 2.5 | 0.14 | 24.000 | 9043850240000 |
| 40 | 50 | 33.5 | 15 | 20 | 3 | 0.26 | 30.000 | 9043850300000 |
| 50 | 63 | 42 | 17.5 | 25 | 4 | 0.48 | 38.000 | 9043850380000 |
| 63 | 80 | 55 | 22.5 | 32 | 5 | 0.99 | 48.000 | 9043850480000 |
| 80 | 100 | 68 | 27.5 | 40 | 6 | 1.88 | 60.000 | 9043850600000 |