

345 SERIES

Squeeze Action Plier Clamps | Product Overview

Features:

- Designed for welding or bolting at any point along the mounting bar
- Includes M10 swivel foot spindle
- Model 345-G includes sliding jaw with spindle

Applications:

- Welding fixtures
- Assembly fixtures
- Closures for doors, lids, covers

Also Available:

See page MC-ACC-1 for accessories

345,
345-G ⓘ

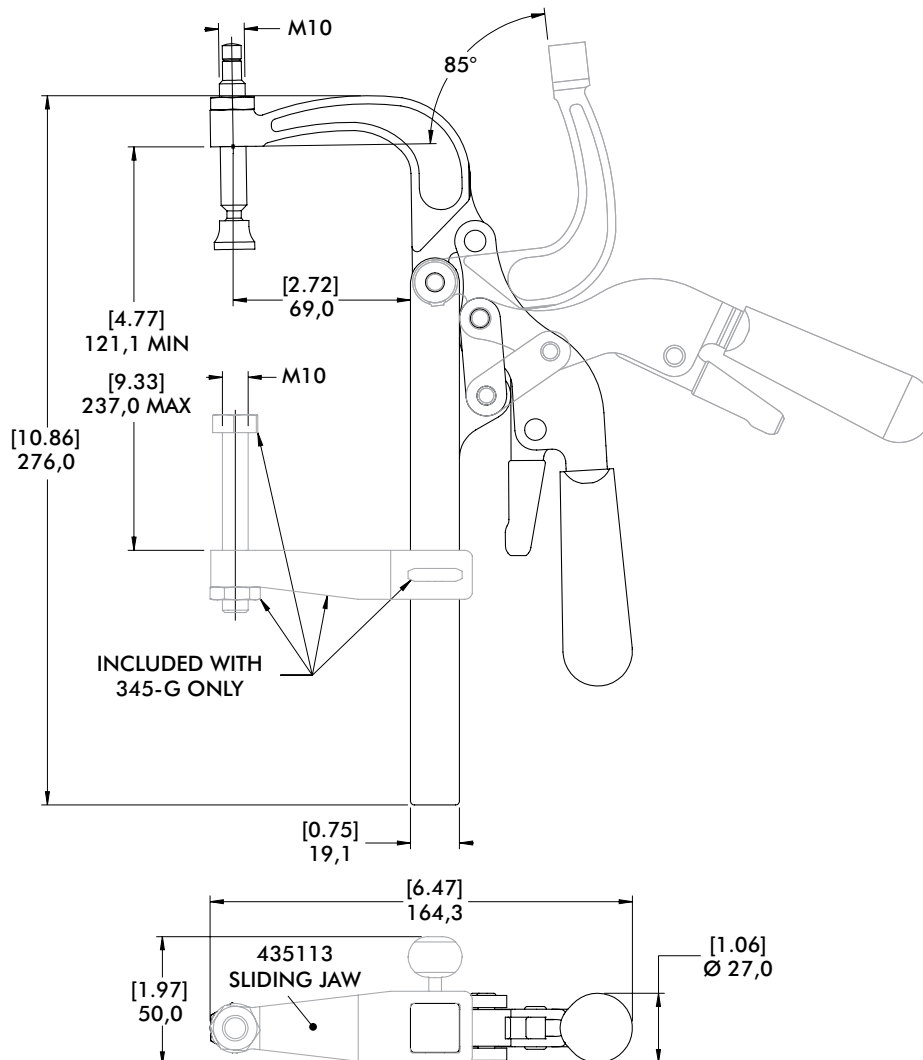


Technical Information | Holding Capacities

Model	Max. Holding Capacity	Weight	Jaw Opening	Spindle (Supplied)
345	3560 N [800 lbf]	1,22kg [2.69lb]	85°	468206-M
345-G ⓘ		1,40kg [3.09lb]		468206-M 210203-M

ⓘ This item is available upon request.

Dimensions



mm [INCH]
THIRD ANGLE PROJECTION