

Use this number when searching for this item:

## 9030860095200

### 3/8" Aero-Tech / GH100 U CARBIDE end mill FIREX



#### >> Item Info

EDP #	9030860095200
Series	3086
Order Code	9.520
Coating	FIREX
Coolant	Without
Cutting Direction	Right Hand
Cutting Edge	Corner Chamfer
Helix Angle	45
Material	Carbide
Shank	HA Cylindrical
Type	Aero-Tech / GH100 U
Tolerance	h10

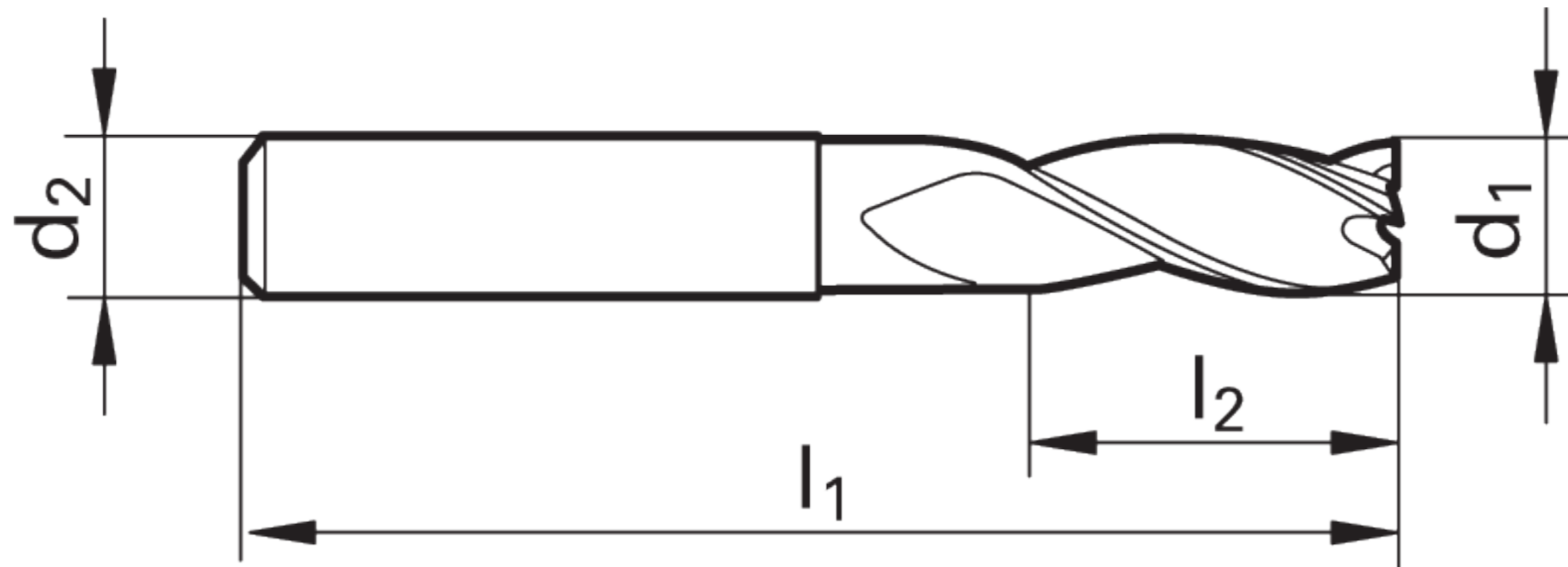
#### >> Features

#### >> Suggested Materials

<b>P</b>	• Steel
<b>M</b>	• Stainless steel
<b>K</b>	• Grey cast iron, malleable and spheroidal iron
<b>N</b>	Aluminium and other non-ferrous metal
<b>S</b>	Special, super and titanium alloys
<b>H</b>	Hardened steel and chilled cast iron

• = optimal, o = secondary

#### >> Technical Specs



EDP #	Code No.	Dia. d1 (in)	Shank dia. d2 h6 (in)	Neck dia. d3 (in)	OAL l1 (in)	LOC l2 (in)	Reach l3 (in)			Corner Radius (in)	Corner Chamfer (in)	β °	Flutes	Shank Type
9030860095200	9.520	3/8	3/8		2	5/8					0.004		3	HA cylindrical



**WARNING:**  
This product can expose you to cobalt metal powder, a chemical known to the State of California to cause cancer. For more information go to [www.P65Warnings.ca.gov](http://www.P65Warnings.ca.gov)

\*\*\* **DISCLAIMER:** Data on this PDF is subject to change at any time without notice.