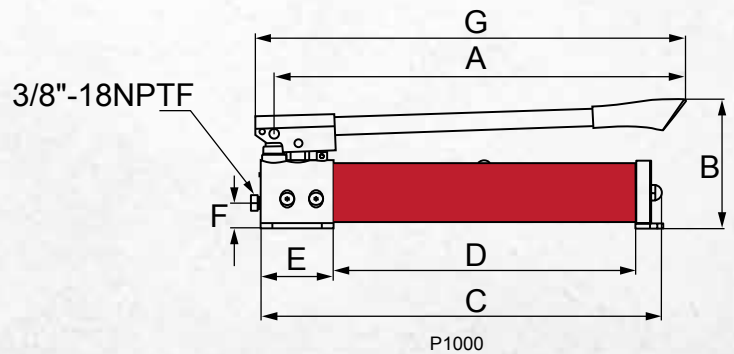
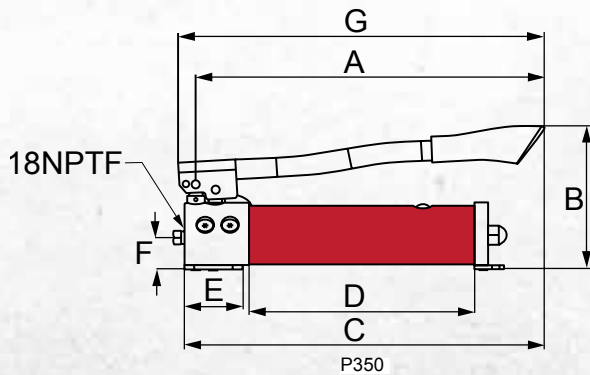
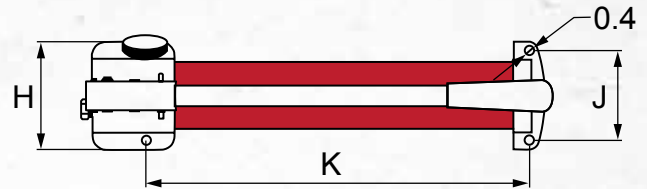
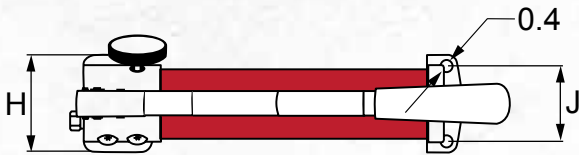


## TWO SPEED ALUMINUM HAND PUMPS

- Lightweight aluminum alloy for easy handling
- Two speed operation increases productivity and reduces user fatigue
- Internal pressure relief valve for overload protection
- Wireless option for pumps
- Solid metal valve release knob



Used with Cylinder	Pump Type	Usable Oil Capacity (in <sup>3</sup> )	Model Number	Pressure Rating		Oil Displacement per Stroke		Max. Operating Force (lbs)	Piston Stroke (in)	Oil Outlet Port	Weight (lbs)
				1st Stage (psi)	2nd Stage (psi)	1st Stage (in <sup>3</sup> )	2nd Stage (in <sup>3</sup> )				
Single Acting	Two Speed	21.4	P350	200	10,000	0.18	0.05	88	0.38	¼"-18NPTF	6.6
		61.0	P1000	200	10,000	0.81	0.14	99	0.82	¾"-18NPTF	13.7

Model Number	Dimensions (in)									
	A	B	C	D	E	F	G	H	J	K
P350	13.43	5.91	13.89	9.09	2.36	1.34	14.13	3.35	2.56	-
P1000	21.77	6.34	23.03	14.96	3.59	1.26	19.96	4.88	3.94	16.93