

247, 267 SERIES

Vertical Hold Down Clamps | Product Overview

Features:

- Hardened steel bushings
- Large bar guides for greater lateral stability on Model 247
- Series 247 accommodates M12 or 1/2 spindle accessory
- Series 267 accommodates M16 or 5/8 spindle accessory

Applications:

- Assembly & test
- Light machining
- Welding

Also Available:

See page MC-ACC-1 for accessories
 847-U Pneumatic Toggle Clamp
 (See page MC-PTC-15)
 847-S Pneumatic Toggle Clamp
 (See page MC-PTC-15)

247-U
Flanged Base
U-Bar



247-S
Flanged Base
Solid Bar



247-UB ⓘ
Straight Base
U-Bar



267-U
Flanged Base
U-Bar



267-S ⓘ
Flanged Base
Solid Bar



Note:

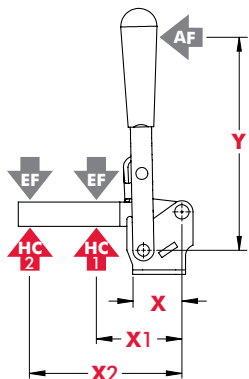
Clamps shown with included accessories.

Technical Information

Model	Max. Holding Capacity	Clamp Bar Opening (+10°)	Handle Opening (+10°)	Weight	Accessories (Supplied)		
					Bolt Retainer	Spindle Assembly	Flanged Washers
247-U	4400 N [1000 lbf]	120°	67°	1,07kg [2.36lbs]	---	247208-M	247109
247-S				247110	---	---	
247-UB ⓘ				---	247208-M	247109	
267-U	5340 N [1200 lbf]	140°	72°	2,18kg [4.80lbs]	---	267203-M	267102
267-S ⓘ				110122	---	---	

ⓘ This item is available upon request

Holding Capacities



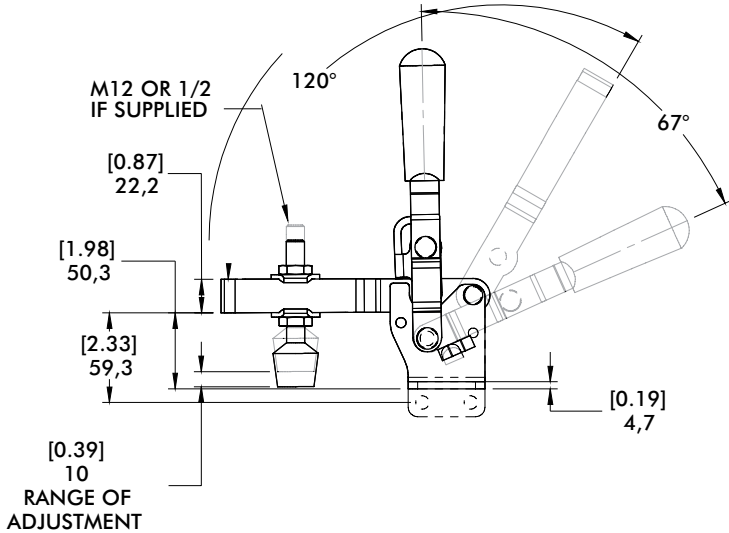
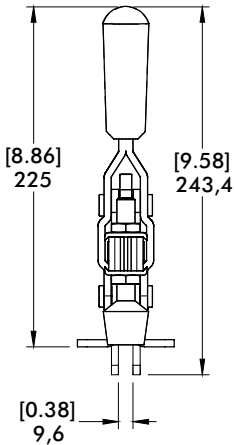
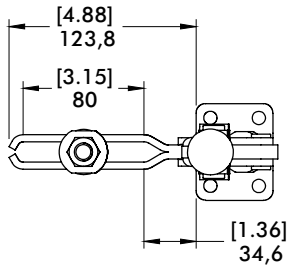
Model	X	X1	X2	Y	±HC1	±HC2	±EF(X1):AF	±EF(X2):AF
247-U/ 247-UB ⓘ	[1.69] 43	[3.00] 76,2	[6.13] 155,7	[6.71] 170,5	[1000lbf.] 4450N	[480lbf.] 2140N	12:1	6:1
247-S		[4.56] 115,8	[7.00] 177,8			[650lbf.] 2900N	10:1	5:1
267-U	[2.50] 63,5	[4.00] 101,6	[8.00] 203,2	[9.25] 235	[1200lbf.] 5340N	[600lbf.] 2670N	18:1	8:1
267-S ⓘ		[6.00] 152,4	[8.75] 222,3			[820lbf.] 3650N	12:1	

Dimensions shown "mm [inch]" ± HC = Holding Capacity, EF = Exerting Force, AF = Applied Force
 See page MC-TEC-4 for additional information. ⓘ This item is available upon request

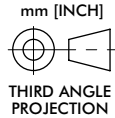
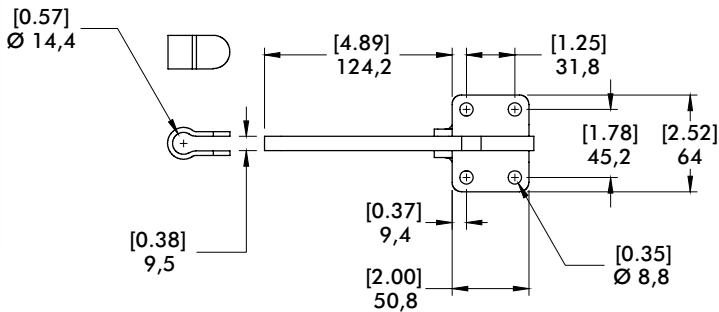
247, 267 SERIES

Vertical Hold Down Clamps | Dimensions | -U/-S/-UB

247-U
Flanged Base
U-Bar



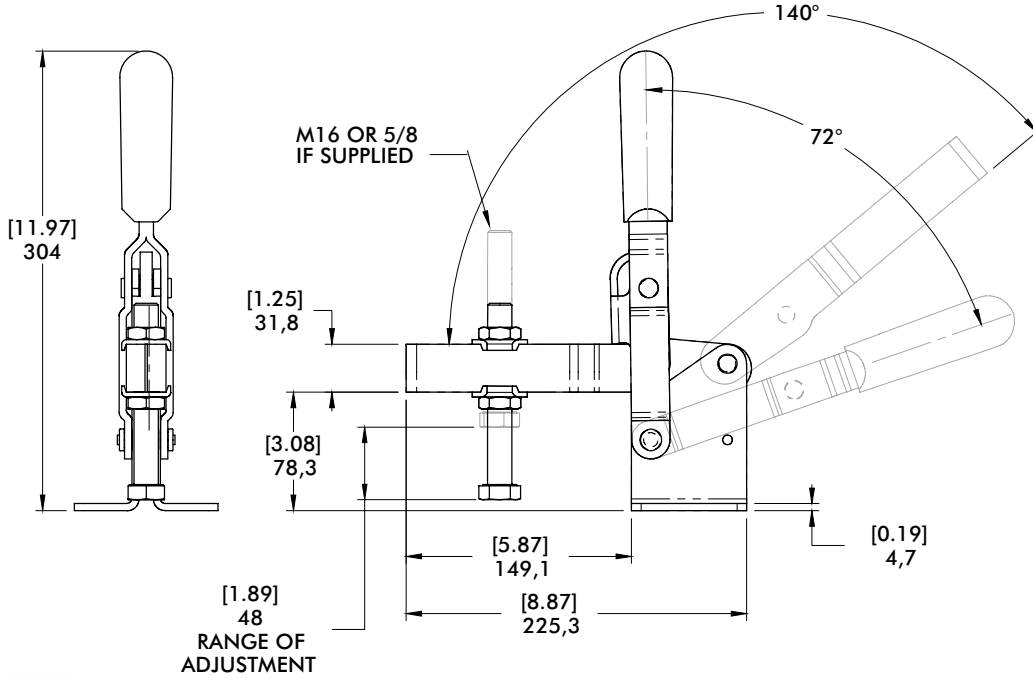
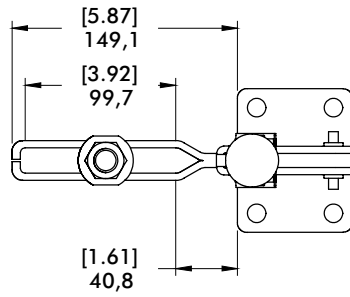
247-S
Flanged Base
Solid Bar



267 SERIES

Vertical Hold Down Clamps | Dimensions

267-U
Flanged Base
U-Bar



267-S
Flanged Base
Solid Bar

