

# 235 SERIES

## Horizontal Hold Down Clamps | Product Overview

### Features:

- Low profile
- Available with DESTACO® Toggle Lock Plus
- Available in stainless steel

### Applications:

- Assembly
- Checking fixtures
- Welding
- Closures
- Woodworking

### Also Available:

See page MC-ACC-1 for accessories  
Accommodates M10 or 3/8" spindle accessory

Covered under one or more U.S./International Patents

**235-U**  
Flanged Base  
U-Bar



**235-USS**  
Flanged Base, U-Bar,  
Stainless Steel



**235-UR**  
Flanged Base, U-Bar  
with DESTACO®  
Toggle Lock  
Plus



**235-UB** ⓘ  
Straight Base  
U-Bar

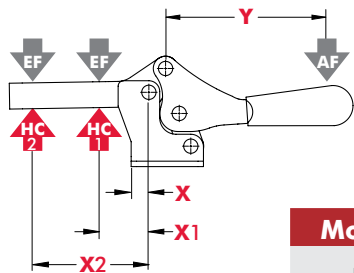


## Technical Information

| Model    | Max. Holding Capacity | Clamp Bar Opening (+10°) | Handle Opening (+10°) | Weight          | Accessories (Supplied) |                 |
|----------|-----------------------|--------------------------|-----------------------|-----------------|------------------------|-----------------|
|          |                       |                          |                       |                 | Spindle Assembly       | Flanged Washers |
| 235-U    | 3340 N [750 lbf]      | 92°                      | 70°                   | 0,67kg [1.47lb] | 240208-M               | 235106          |
| 235-USS  | 3780 N [850 lbf]      |                          |                       |                 | 237943-M               | 235906          |
| 235-UR   | 3340 N [750 lbf]      | 92°                      | 70°                   | 0,74kg [1.64lb] | 240208-M               | 235106          |
| 235-UB ⓘ |                       |                          |                       | 0,67kg [1.47lb] |                        |                 |

ⓘ This item is available upon request

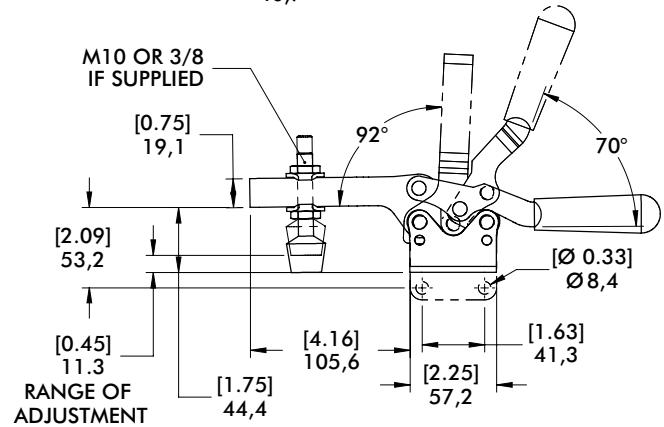
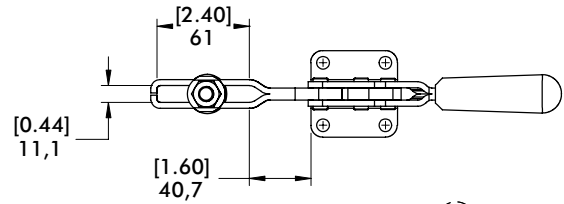
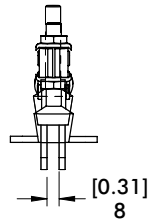
## Holding Capacities



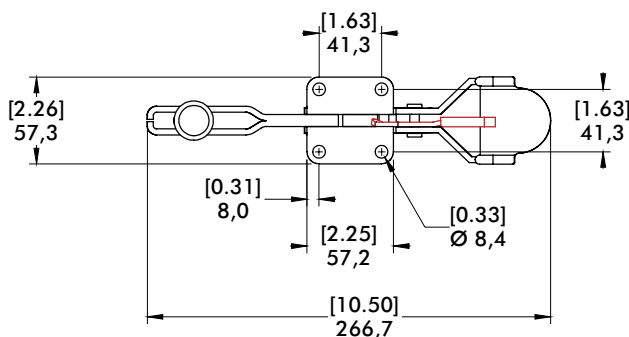
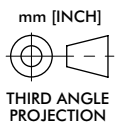
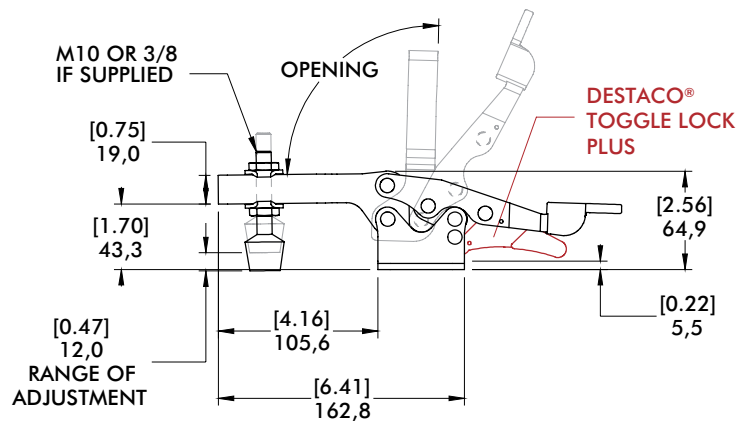
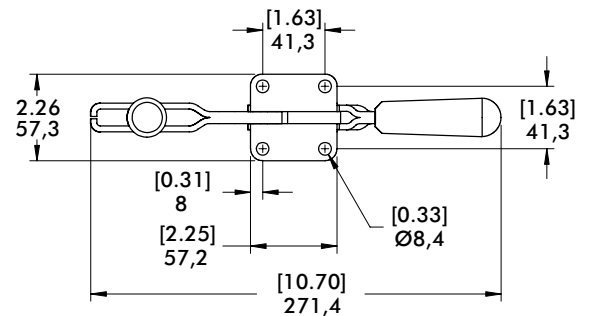
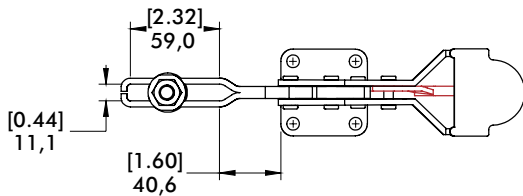
| Model | X             | X1             | X2            | Y             | ‡HC1               | ‡HC2               | ‡EF(X1):AF | ‡EF(X2):AF |
|-------|---------------|----------------|---------------|---------------|--------------------|--------------------|------------|------------|
| U     |               |                |               |               | [750lbf.]<br>3340N | [300lbf.]<br>1330N | 9:1        | 5:1        |
| USS   | [0.25]<br>6,4 | [1.75]<br>44,5 | [4.13]<br>105 | [5.75]<br>146 | [850lbf.]<br>3780N | [360lbf.]<br>1600N |            |            |
| UR/UB |               |                |               |               | [750lbf.]<br>3340N | [300lbf.]<br>1330N |            |            |

Dimensions shown "mm [inch]" ‡ HC = Holding Capacity, EF = Exerting Force, AF = Applied Force  
See page MC-TEC-4 for additional information.

### 235-U Flanged Base U-Bar



### Dimensions | -UR



### 235-UR Flanged Base, U-Bar with DESTACO® Toggle Lock Plus

