



Post Office Box 97
 Benton Harbor, Michigan
 Ph: 269/926-6171
 Fax: 269/925-8288

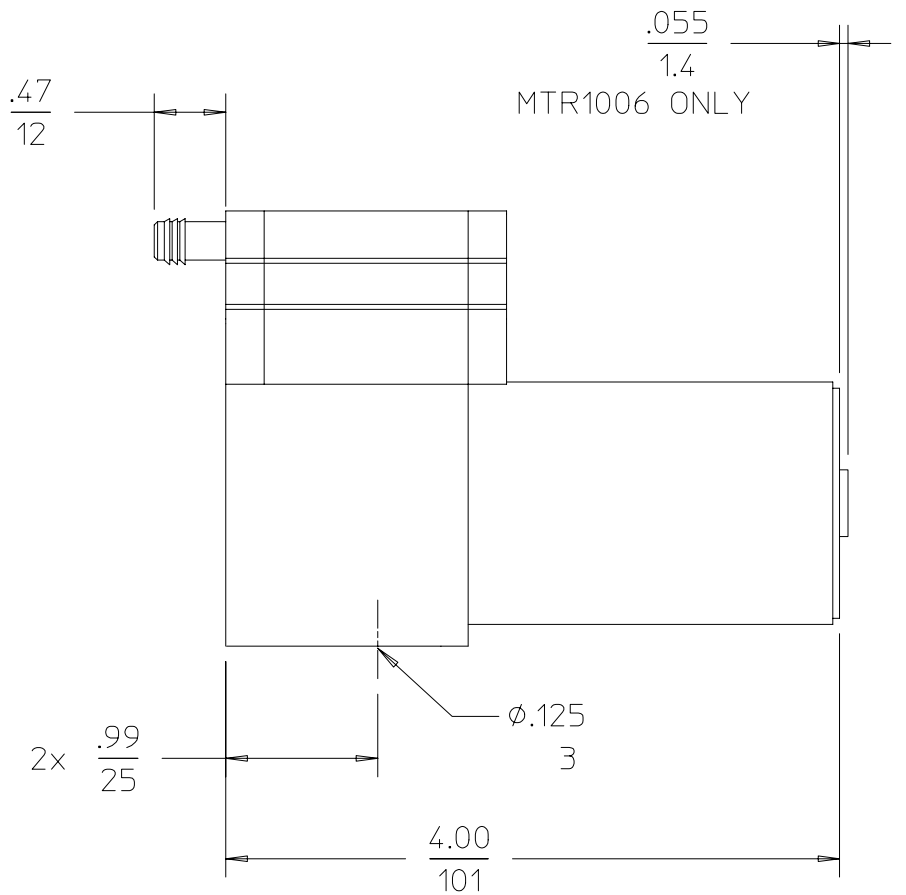
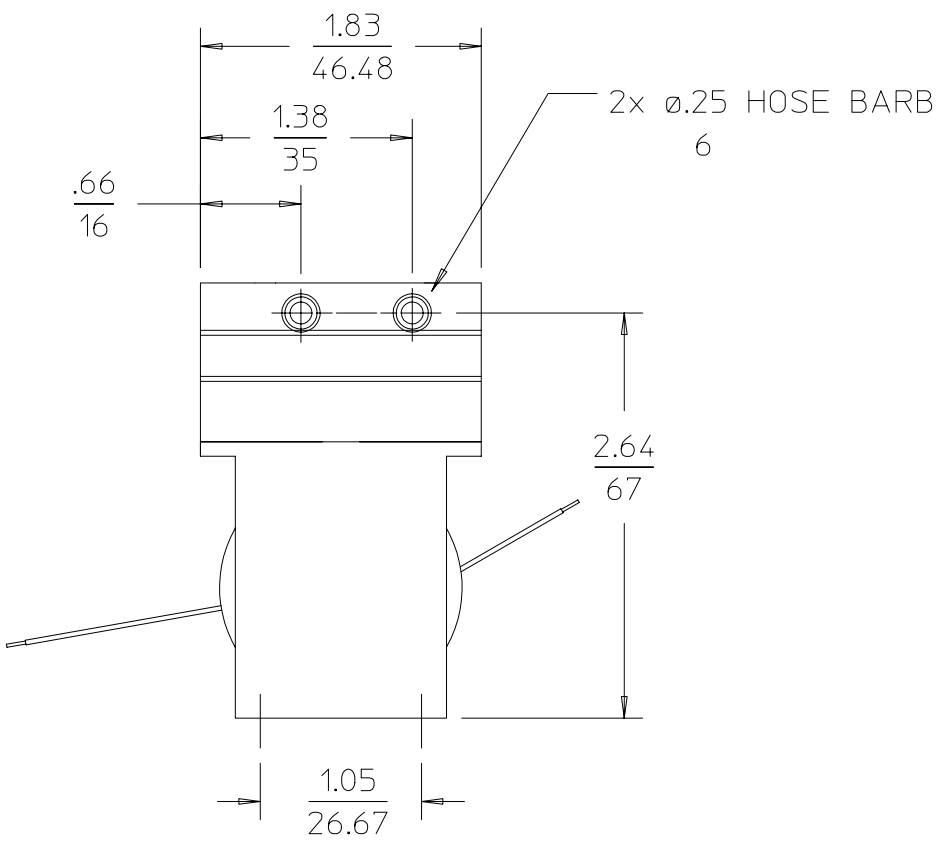
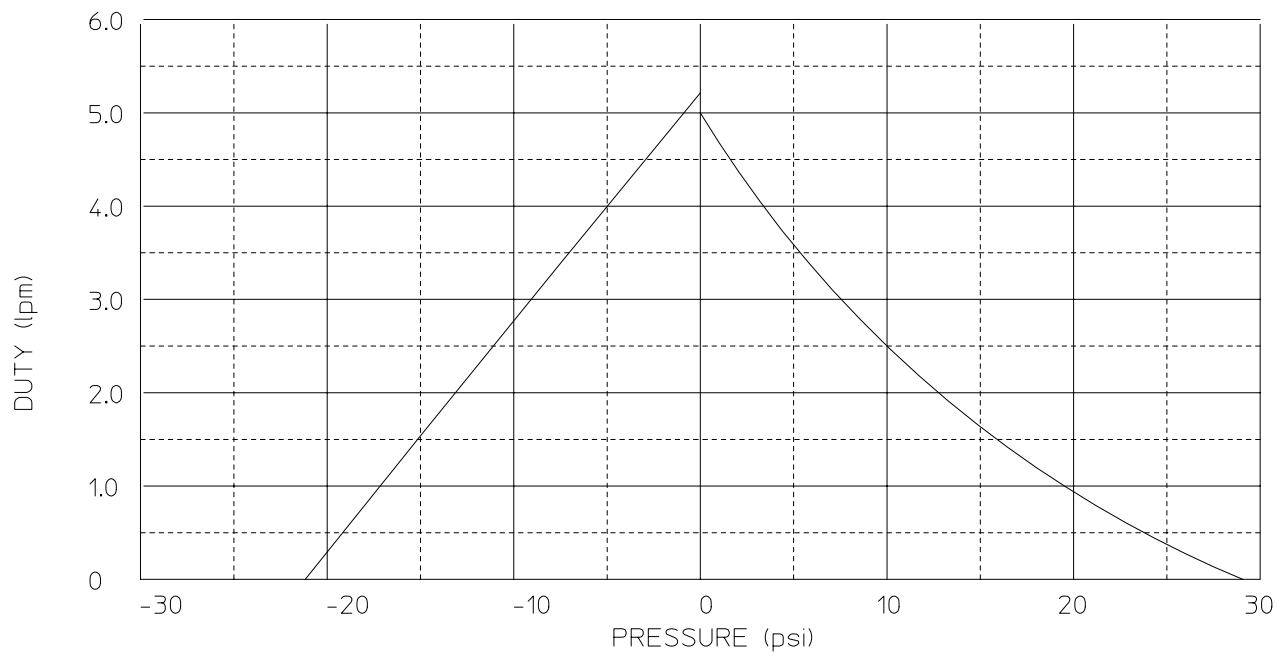
PART NUMBER:

VTD001

REV. F

NORMAL OPERATING RPM: 3400
 SOUND LEVEL: LESS THAN 70 dBA
 NORMAL AMBIENT MIN: 0 C
 NORMAL AMBIENT MAX: 40 C
 RELATIVE HUMIDITY MIN: 10%
 RELATIVE HUMIDITY MAX: 95%

COMMENT: THIS PUMP MUST BE INSTALLED INSIDE AN ENCLOSURE
 ENVIROMENT: CLEAN DUST FREE
 LINE VOLTAGE: VARIES, SEE INDIVIDUAL MODEL DESCRIPTIONS
 INLET AIR DENSITY: 0.075 lbs./cu ft
 TEMPERATURE: 23 C/73.4 F
 ATM. PRESSURE: 29.92 In Hg/14.7 psi



MODEL NUMBER	MOTOR	AMP DRAW	lbs. oz.	Kg. GRAMS
15D1150-201-1006	12V	1.1	0,0 14	0,0 408
15D1150-101-1014	24V	.6	0,0 14	0,0 408
15D1150-102-1006	12V	1.1	0,0 14	0,0 408
15D1150-101-1006	12V	1.1	0,0 14	0,0 408