

GAST

A UNIT OF IDEX CORPORATION
BENTON HARBOR, MI U.S.A.



10D1125-101-1053

MODEL NUMBER

VTD032

5-9-00

DATE

PART NUMBER

PRODUCT SPECIFICATION

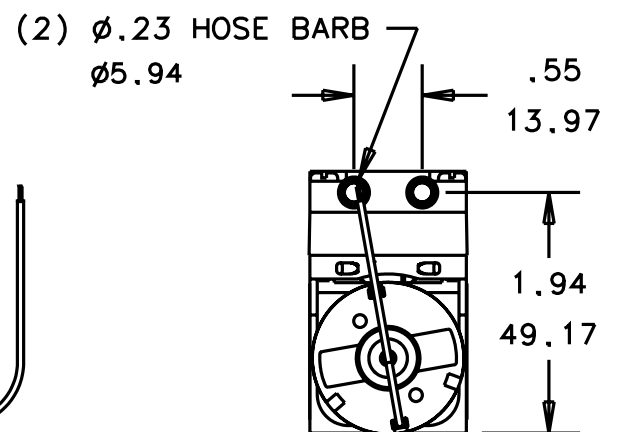
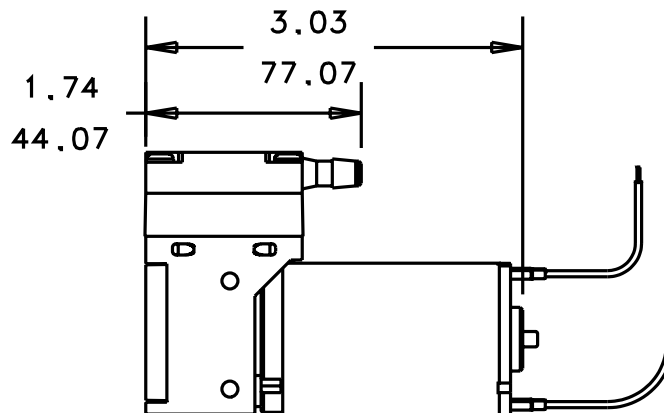
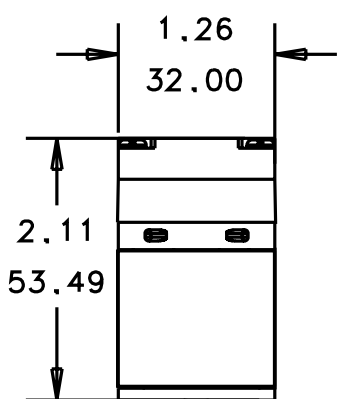
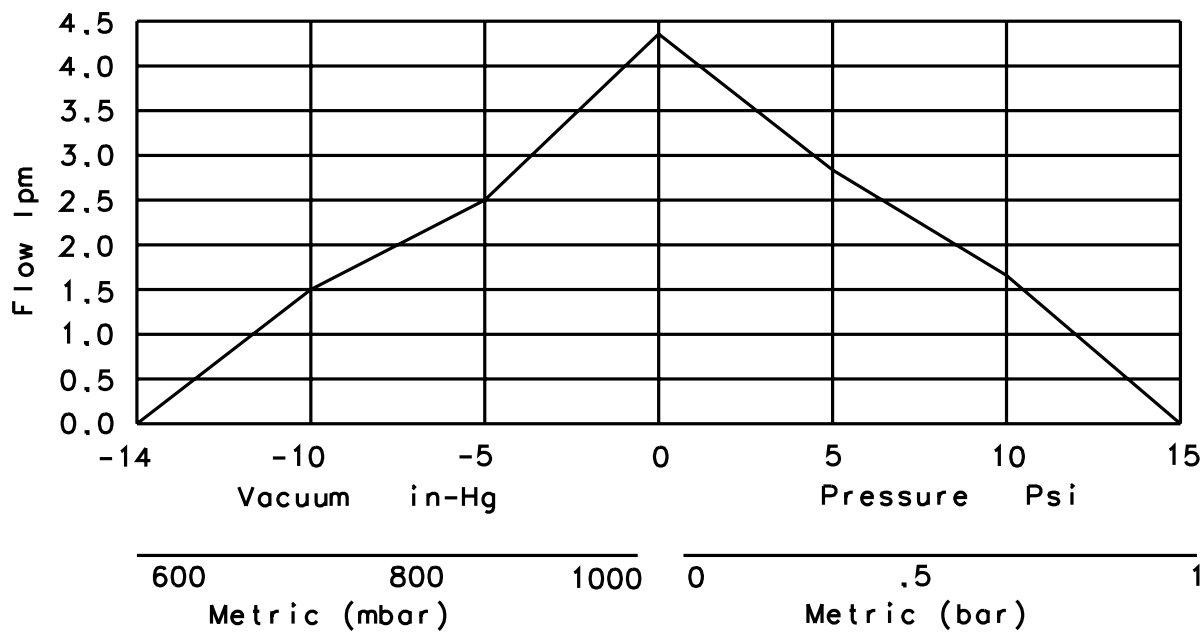
| | | | | |
|------|--------|----------|-------|---------|
| | | | | |
| 3400 | <70dBa | 0°C-40°C | 10-95 | 0.23 Kg |

| | | |
|-------------------|--------------------------|------------------|
| MOTOR | 24V | REVISION |
| FREQUENCY | N/A | D |
| MAX AMP DRAW | .3 | CHANGE NUMBER |
| MATERIAL | EPDM DIAPHRAGM AND VALVE | 1402022 97634 |
| ENVIRONMENT | CLEAN DUST FREE | |
| *TEMPERATURE | 23°C/73.4°F | |
| *ATM PRESSURE | 29.92InHg/14.7psi | |
| INLET AIR DENSITY | .075 lbs/cu ft | |

NOTES:

- ALL DIMENSIONS ARE FOR REFERENCE ONLY.
- PRODUCT DIMENSION: U.S. IMPERIAL (inches)
METRIC (mm)

10D PERFORMANCE GRAPH



**PRODUCT PERFORMANCE MAY VARY ± 10% FROM PRODUCT PERFORMANCE CURVES.
TECHNICAL DATA SUBJECT TO CHANGE WITHOUT NOTICE.
*TEST CONDITIONS**