

030 SERIES

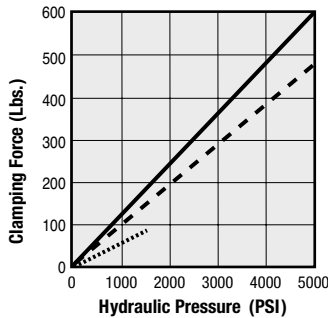
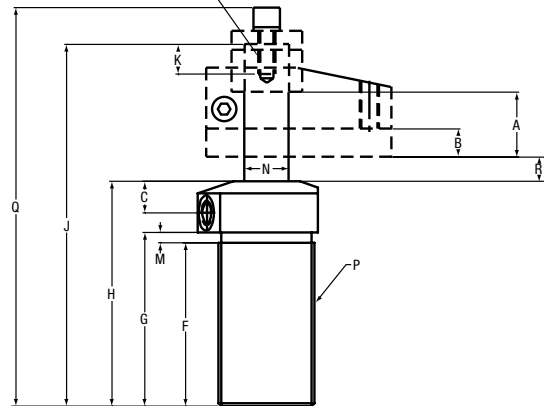
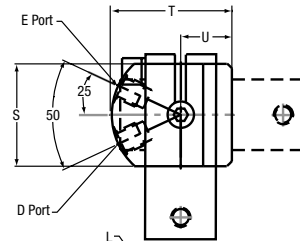
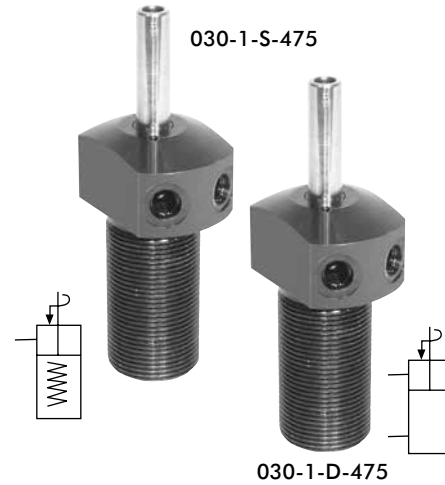
Hydraulic Power Clamps | Hydraulic Swing Clamps – 475 lb.

The DESTACO Threaded Body Swing Clamps are available in both single-acting and double-acting versions. They incorporate the latest hydraulic swing clamp technology. The top port design allows easy access for plumbing connections.

They are available with 90° left or right hand rotation. The breather port on single-acting models may be replaced with tubing for remote venting. The optional arms clamp securely to the piston rod to reduce fatigue and deflection. Arms may be easily modified or custom arms may be substituted.

Features:

- Advanced seals and wipers utilize a special, highly wear-resistant construction for long cycle life and 5,000 PSI operation
- Triple track piston rod design for field adjustable swing direction
- Hardened and hard chrome plated piston rod for increased strength and wear resistance
- Advanced metal treated body for superior wear and corrosion resistance
- MRO interchange design



Performance

- With 031-L-475 Arm (3.25" long)
- - - With 0-31-S-475 Arm (1.22" long)
- Straight Pull

For 475 lb.
Swing Clamp Arms
see Page MC-HYD-11

Cat. no.	Specifications							Max Oil Flow in ³ /m in
	Oper.	Swing Direction	*Force (lbs.)	Eff. Area (sq. In.) Clamp Unclamp	Oil Cap. (cu. In.) Clamp Unclamp			
030-1-S-475 (-X) †	Single-Acting	Left Hand (Counter Clockwise)	475	0.12	-	0.08	-	12
030-1-D-475 (-X) †	Double-acting	Right Hand (Clockwise)			0.24		0.15	

- Ordering Notes:
- Left hand swing (ccw) is standard—no suffix
 - Add -R suffix for right hand swing

Cat. no.	Specifications																			
	A Total Stroke	B Clamping Stroke	C	D Clamp Port	E Unclamp Port	F	G	H	J	K	L	M	N	P	Q	R	S	T	U	
030-1-S-475 †	0.65	0.210	0.59	SAE-2	SAE-2	1.929	2.086	3.07	4.429	0.8	M6x1	0.157	0.393	1-1/8-16UN	4.96	0.495	1.3	1.55	0.61	
030-1-D-475 †	0.65	0.32	0.59																	

† This item is available upon request

NOTE: *With 1.22" long arm at 5,000 PSI maximum operating pressure.
 ‡ Do not pressurize – single-acting only
 † See page MC-HYD-11 for arms, accessories and custom arm mounting

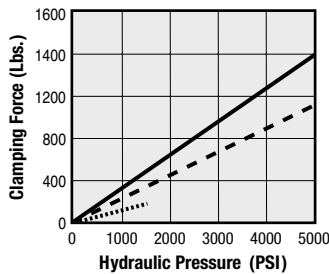
Hydraulic Power Clamps | Hydraulic Swing Clamps – 1,100lb.

The DESTACO Threaded Body Swing Clamps are available in both single-acting and double-acting versions. They incorporate the latest hydraulic swing clamp technology. The top port design allows easy access for plumbing connections.

They are available with 90° left or right hand rotation. The breather port on single-acting models may be replaced with tubing for remote venting. The optional arms clamp securely to the piston rod to reduce fatigue and deflection. Arms may be easily modified or custom arms may be substituted.

Features:

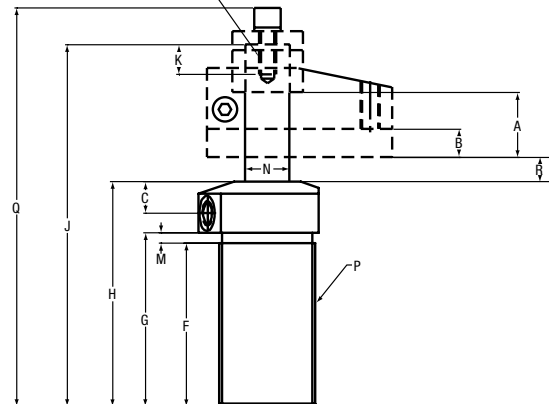
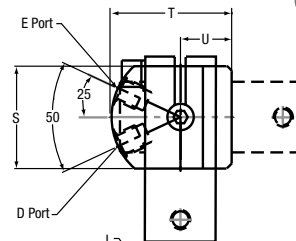
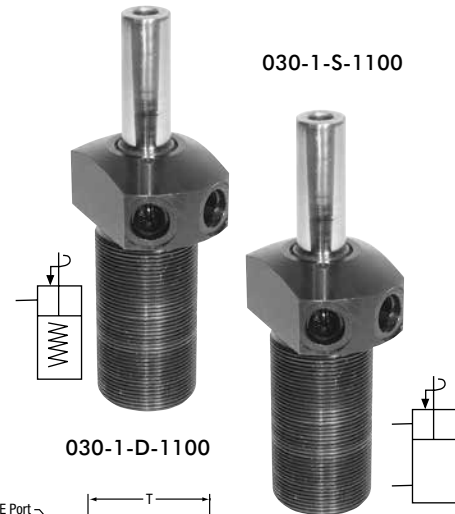
- Advanced seals and wipers utilize a special, highly wear-resistant construction for long cycle life and 5,000 PSI operation
- Triple track piston rod design for field adjustable swing direction
- Hardened and hard chrome plated piston rod for increased strength and wear resistance
- Advanced metal treated body for superior wear and corrosion resistance
- MRO interchange design



Performance

- With 031-L-1100 Arm (5.31" long)
- - - With 031-S-1100 Arm (1.89" long)
- Straight Pull

For 1,100 lb.
Swing Clamp Arms
see Page MC-HYD-12



Ordering Notes:

- Left hand swing (ccw) is standard – no suffix
- Add -R suffix for right hand swing

Cat. no.	Specifications							Max Oil Flow in ³ /m in
	Oper.	Swing Direction	*Force (lbs.)	Eff. Area (sq. In.) Clamp Unclamp	Oil Cap. (cu. In.) Clamp Unclamp			
030-1-S-1000 (-X) ⓘ	Single-Acting	Left Hand (Counter Clockwise)	1100	0.28	-	0.25	-	25
030-1-D-1000 (-X) ⓘ	Double-acting	Right Hand (Clockwise)		0.59		0.52		

Cat. no.	Specifications																		
	A Total Stroke	B Clamping Stroke	C	D Clamp Port	E Unclamp Port	F	G	H	J	K	L	M	N	P	Q	R	S	T	U
030-1-S-1100 ⓘ	0.89	0.39	0.6	SAE-4	SAE-4	2.4	2.6	3.58	5.305	0.94	M8 x 1.25	0.196	0.629	1-3/8-18UN	5.965	0.400	1.5	1.87	0.75
030-1-D-1100 ⓘ																			

ⓘ This item is available upon request

NOTE: *With 1.89" long arm at 5,000 PSI maximum operating pressure.
 †Do not pressurize – single-acting only
 ‡ See page MC-HYD-12 for arms, accessories and custom arm mounting

030 SERIES

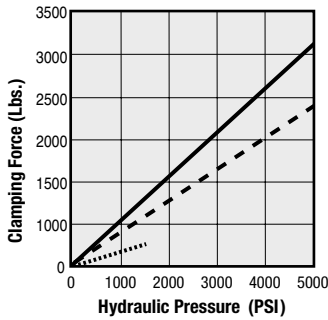
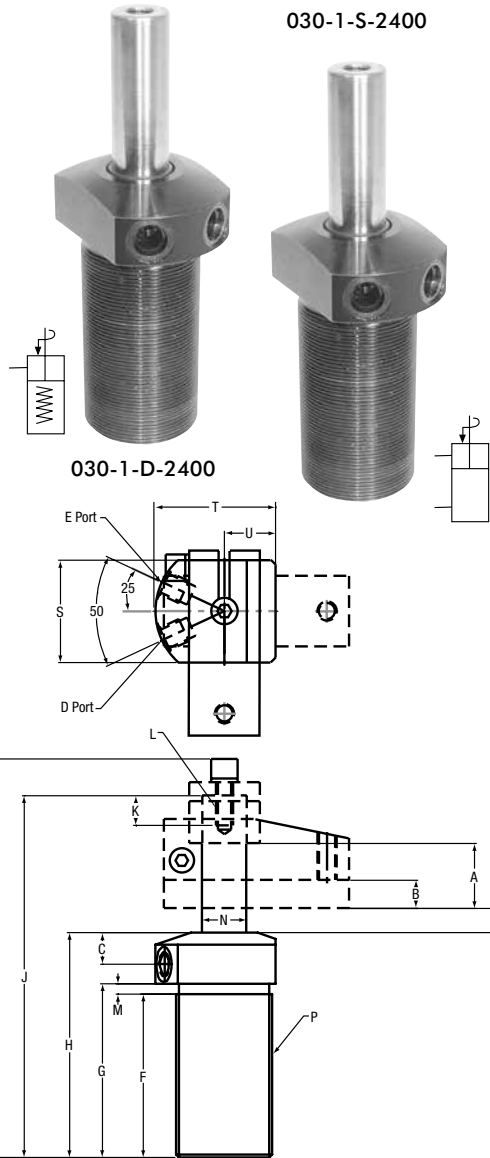
Hydraulic Power Clamps | Hydraulic Swing Clamps – 2,400 lb.

The DESTACO Threaded Body Swing Clamps are available in both single-acting and double-acting versions. They incorporate the latest hydraulic swing clamp technology. The top port design allows easy access for plumbing connections.

They are available with 90° left or right hand rotation. The breather port on single-acting models may be replaced with tubing for remote venting. The optional arms clamp securely to the piston rod to reduce fatigue and deflection. Arms may be easily modified or custom arms may be substituted.

Features:

- Advanced seals and wipers utilize a special, highly wear-resistant construction for long cycle life and 5,000 PSI operation
- Triple track piston rod design for field adjustable swing direction
- Hardened and hard chrome plated piston rod for increased strength and wear resistance
- Advanced metal treated body for superior wear and corrosion resistance
- MRO interchange design



For 2,400 lb. Swing Clamp Arms see Page MC-HYD-11

Performance

- With 031-L-2400 Arm (6.36" long)
- - - With 031-S-2400 Arm (2.43" long)
- Straight Pull

Cat. no.	Specifications								Max Oil Flow in ³ /m in
	Oper.	Swing Direction	*Force (lbs.)	Eff. Area (sq. In.)	Oil Cap. (cu. In.)	Clamp	Unclamp		
030-1-S-2400 (-X) ⓘ	Single-Acting	Left Hand (Counter Clockwise) Right Hand (Clockwise)	2400	0.63	0.7	-	-	100	
030-1-D-2400 (-X) ⓘ	Double-acting					1.23	1.10		

- Ordering Notes:**
- Left hand swing (ccw) is standard—no suffix
 - Add -R suffix for right hand swing

Cat. no.	Specifications																		
	A Total Stroke	B Clamping Stroke	C	D Clamp Port	E Unclamp Port	F	G	H	J	K	L	M	N	P	Q	R	S	T	U
030-1-S-2400 ⓘ	1.12	0.5	0.62	SAE-4	SAE-4	†	3.38	4.38	6.8	1.28	M10x1.5	0.196	0.87	1-7/8-16UN	7.543	0.517	2.0	2.38	1.0
030-1-D-2400 ⓘ																			

ⓘ This item is available upon request

NOTE: *With 2.43" long arm at 5,000 PSI maximum operating pressure.

‡Do not pressurize – single-acting only

† See page MC-HYD-11 for arms, accessories and custom arm mounting

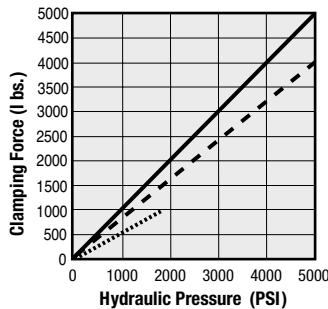
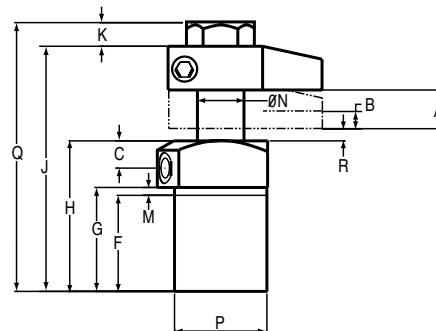
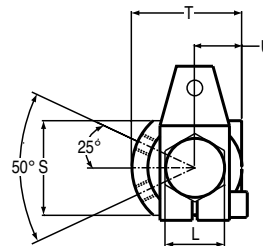
Hydraulic Power Clamps | Hydraulic Swing Clamps – 4,000 lb.

The DESTACO Threaded Body Swing Clamps are available in both single-acting and double-acting versions. They incorporate the latest hydraulic swing clamp technology. The top port design allows easy access for plumbing connections.

They are available with 90° left or right hand rotation. The breather port on single-acting models may be replaced with tubing for remote venting. The optional arms clamp securely to the piston rod to reduce fatigue and deflection. Arms may be easily modified or custom arms may be substituted.

Features:

- Advanced seals and wipers utilize a special, highly wear-resistant construction for long cycle life and 5,000 PSI operation
- Triple track piston rod design for field adjustable swing direction
- Hardened and hard chrome plated piston rod for increased strength and wear resistance
- Advanced metal treated body for superior wear and corrosion resistance
- MRO interchange design



Performance

- With 031-L-4000 Arm (X.XX" long)
- - - With 031-S-4000 Arm (X.XX" long)
- Straight Pull

For 4,000 lb.
Swing Clamp Arms
see Page MC-HYD-11

Cat. no.	Specifications							Max Oil Flow in ³ /m in
	Oper.	Swing Direction	*Force (lbs.)	Eff. Area (sq. In.) Clamp	Unclamp	Oil Cap. (cu. In.) Clamp	Unclamp	
030-1-S-4000 (-X) ⓘ	Single-Acting	Left Hand (Counter Clockwise)	4000	1.10	-	1.22	-	140
030-1-D-4000 (-X) ⓘ	Double-acting	Right Hand (Clockwise)			2.35		2.60	

- Ordering Notes:
- Left hand swing (ccw) is standard—no suffix
 - Add -R suffix for right hand swing

ⓘ This item is available upon request

Cat. no.	Specifications																		
	A Total Stroke	B Clamping Stroke	C	D Clamp Port	E Unclamp Port	F	G	H	J	K	L	M	N	P	Q	R	S	T	U
030-1-S-4000 ⓘ	1.07	0.45	0.75	SAE#4	SAE#4	2.70	2.83	4.09	6.67	0.64	1.61	0.14	1.26	2-1/2-16 UN	7.30	0.33	2.56	2.99	1.28
030-1-D-4000 ⓘ																			

ⓘ This item is available upon request

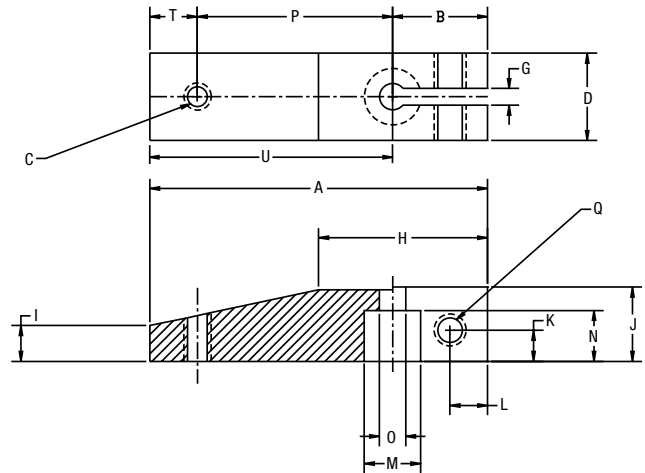
NOTE: *With 2.75" long arm at 5,000 PSI maximum operating pressure.
[‡]Do not pressurize – single-acting only
[†] See page MC-HYD-11 for arms, accessories and custom arm mounting

030 SERIES

Hydraulic Power Clamps | Hydraulic Swing Clamps 475-2,400 lb. Arms

Custom built arms of any length must clamp to the swing clamp's piston rod in a manner similar to the DESTACO arms or some derating of the clamp will be necessary.

The design feature "K," in the chart and drawing at the bottom of this page, is recommended for all applications of custom, single arms. See the accompanying chart for design details. In applications where there is no bending stress being transferred into the piston rod (like push/pull linkages and equalizing double arms), this design detail may be eliminated. In these applications, the clamp's full capacity (referred to as "straight pull" capacity) is available.



Cat. no.	Specifications																	Weight (lbs.)
	A	B	C	D	G	H	I	J	K	L	M	N	O	P	Q	T	U	
031-S-475	1.929	0.709	M6	0.63	0.126	1.139	0.394	0.630	0.236	0.217	0.394	0.394	0.256	0.984	M6	0.236	1.220	0.159
031-L-475	3.959	0.709	-	0.63		1.166	0.394	0.630			0.394	0.394	0.256	-	M6	-	3.250	0.348
031-S-1100	2.598	0.709	M8	0.748		1.294	0.433	0.748			0.630	0.472	0.33	1.575	M6	0.315	1.889	0.286
031-L-1100	6.019	0.709	-	0.748		1.412	0.433	0.748			0.630	0.472	0.335	-	M6	-	5.310	0.721
031-S-2400	3.268	0.866	M10	1.125		1.459	0.633	1.00			0.866	0.709	0.413	1.969	M8	0.433	2.402	0.634
031-L-2400	7.226	0.866	-	1.125		1.696	0.633	1.00			0.866	0.709	0.413	-	M8	-	6.360	1.564

IMPORTANT: Any clamp using a modified or custom arm that is longer or heavier than DESTACO's standard arms must be derated to prevent internal damage.
Do not exceed the maximum speed and pressure ratings for DESTACO's standard arms.
For maximum hydraulic pressure and speed ratings, see the accompanying charts
Do not use meter-out circuitry for controlling double-acting clamp speeds
Contact DESTACO if further design assistance is required

Custom Arm Mounting Dimensions for Swing Clamps

Shaft Dia.	Specifications										
	A	B	C	D	E	F	G	H	J	K	M
10 MM	0.394	0.256	0.63	0.63	0.709	1.26	0.394	0.236	0.217	0.30	M6 x 1.0
16MM	0.630	0.335	0.748	0.748	0.709		0.472	0.236	0.217		M6 x 1.0
22 MM	0.866	0.413	1.00	1.00	0.866		0.709	0.236	0.217		M8 x 1.25

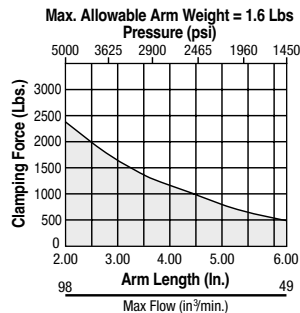
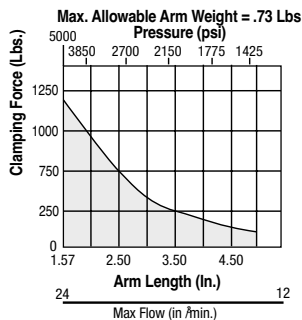
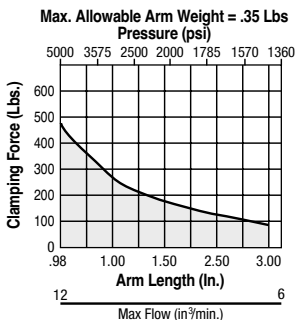
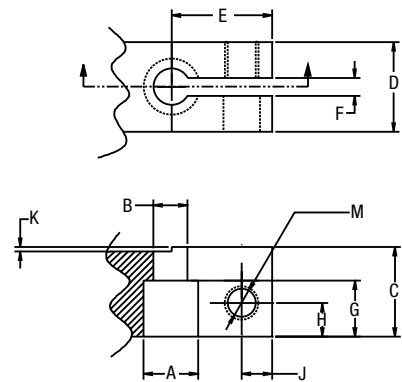


Chart Legend

- Maximum Length / Pressure
- ▭ Operating Range

Clamps must operate at or below maximum arm length/pressure curve:

To approximate clamping force with any arm at less than maximum pressure:

$$FORCE = P \times A \times [1 - (P/M \times .23)]$$

P = Hyd. system operating pressure (PSI)

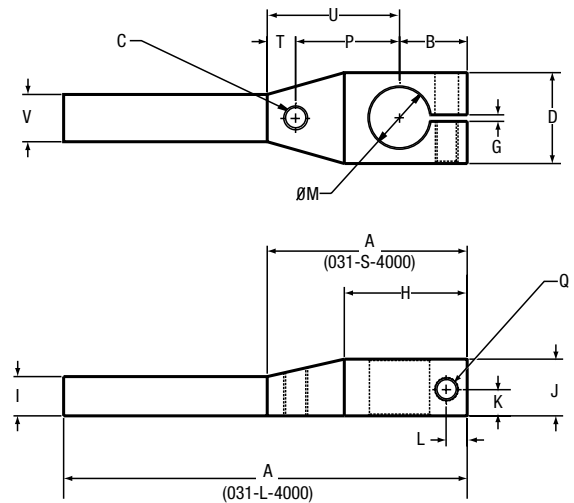
A = Clamp effective area (sq. in.)

M = Max. rated pressure of chosen arm length (PSI)

Hydraulic Power Clamps | Hydraulic Swing Clamps – 4,000 lb. Arms

Custom built arms of any length must clamp to the swing clamp's piston rod in a manner similar to the DESTACO arms or some derating of the clamp will be necessary.

The design feature "K," in the chart and drawing at the bottom of this page, is recommended for all applications of custom, single arms. See the accompanying chart for design details. In applications where there is no bending stress being transferred into the piston rod (like push/pull linkages and equalizing double arms), this design detail may be eliminated. In these applications, the clamp's full capacity (referred to as "straight pull" capacity) is available.

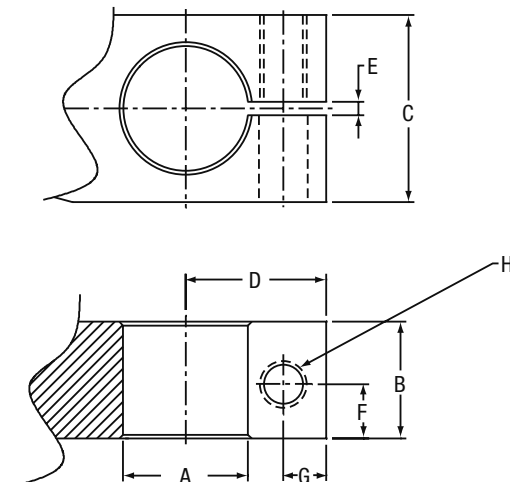


Cat no.	Specifications																Weight (lbs.)
	A	B	C	D	G	H	I	J	K	L	M	P	Q	T	U	V	
031-S-4000	4.17	1.42	1/2-13	1.89	0.138	2.56	0.83	1.18	0.55	0.43	1.26	2.17	M12	0.58	2.75	0.98	1.80
031-L-4000	8.43	1.42	1/2-13	1.89	0.138	2.56	0.83	1.18	0.55	0.43	1.26	-	M12	-	7.01	0.98	2.80

IMPORTANT: Any clamp using a modified or custom arm that is longer or heavier than DESTACO's standard arms must be derated to prevent internal damage.
Do not exceed the maximum speed and pressure ratings for DESTACO's standard arms.
For maximum hydraulic pressure and speed ratings, see the accompanying charts
Do not use meter-out circuitry for controlling double-acting clamp speeds
Contact DESTACO if further design assistance is required

Custom Arm Mounting Dimensions for 4,000 lb. Swing Clamps

Cat no.	Specifications							
	A	B	C	D	E	F	G	H
32MM	1.26	1.18	1.89	1.42	0.138	0.55	0.43	M12 x 1.75



031-S-4000 • 031-L-4000

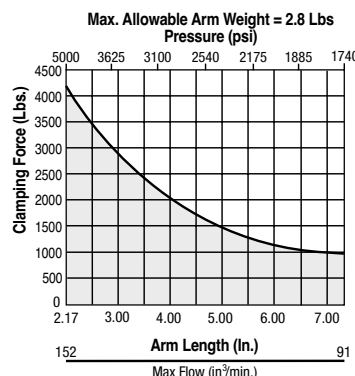


Chart Legend

- Maximum Length / Pressure
- ▭ Operating Range

Clamps must operate at or below maximum arm length/pressure curve:

To approximate clamping force with any arm at less than maximum pressure:

$$\text{FORCE} = P \times A \times [1 - (P/M \times .23)]$$

P = Hyd. system operating pressure (PSI)

A = Clamp effective area (sq. in.)

M = Max. rated pressure of chosen arm length (PSI)